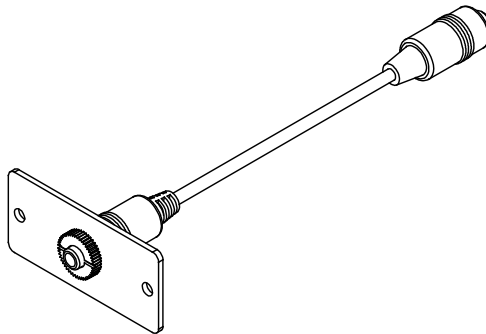




Passive Wall Plate Device:

WA-1PN

Congratulations on purchasing your Kramer **WA-1PN**—a single wall plate insert with unbalanced stereo audio on a 3.5 mini jack connector at the front and a short flexible 12 cm (4.7") cable with a 3.5 mini jack connector at the rear.



For the latest information on our products and a list of Kramer distributors, visit our Web site where updates to this user manual may be found.

We welcome your questions, comments, and feedback.

Web site: www.kramerelectronics.com

E-mail: info@kramerel.com



KRAMER ELECTRONICS LTD.

P/N: 2900-300031 REV 1