

# BG-UM88-100M-KIT

**8X8 4K 18Gbps UHD HDMI/HDBaseT/Audio Matrix Switcher with  
2-Way IR/ARC/Ethernet/IP and RS-232 Control**

## User Manual







## TABLE OF CONTENTS

Statement	4
Safety Precaution	4
Introduction	5
Packing List	6
Specifications	7
Operation Controls and Functions	8
IR Remote	11
IR Control System	13
IR Cables	15
EDID Management	15
Matrix Audio and RS-232 Introduction	17
Web GUI User Guide	18
RS-232 Control Commands	29
Application Example	35
BZBGear Switch Control App	36
Tech Support	39
Limited Product Warranty Terms	39
Mission Statement	40
Copyright	40



## Statement

---

Please read these instructions carefully before connecting, operating, or configuring this product. Please save this manual for future reference.

## Safety Precaution

---

- To prevent damaging this product, avoid heavy pressure, strong vibration, or immersion during transportation, storage, and installation.
- The housing of this product is made of organic materials. Do not expose to any liquid, gas, or solids which may corrode the shell.
- Do not expose the product to rain or moisture.
- Unplug this device during lightning storms
- Clean only with a soft dry microfiber cloth.
- To prevent the risk of electric shock, do not open the case. Installation and maintenance should only be carried out by qualified technicians.
- Do not use the product beyond the specified temperature, humidity, or power supply specifications.
- This product does not contain parts that can be maintained or repaired by users. Damage caused by dismantling the product without authorization from BZBGear is not covered under the warranty policy.
- Installation and use of this product must strictly comply with local electrical safety standards.
- Only use accessories specified by the manufacture
- Product specifications may be subject to technical upgrades without further notice



## Introduction

---

The BG-UM88-100M-KIT is a 4K UHD 8X8 HDMI HDBaseT matrix switch that can connect eight HDMI sources to sixteen displays. This device features eight HDMI outputs mirrored to eight simultaneous HDBaseT outputs. The HDBaseT outputs can extend a 4K@60Hz 4:4:4 video signal at distances up to 328 feet (100 meters) over a single Cat5e/6/7 cable.

This product is equipped with many advanced features including a 4K to 1080P down-scaler as well as smart EDID management for easy integration. This unit also offers audio de-embedding from any of the HDMI sources via analog audio and digital coaxial audio outputs.

Each extender features bi-directional IR, RS-232, and 2 LAN ports for IP control. The base unit can be operated using the front panel controls and OLED screen as well as IR, RS-232, IP control, and web interface.

## Features

---

- HDMI 2.0b, HDCP 2.2, and HDCP 1.4 compliant
- 8 HDMI inputs, 8 HDMI outputs and 8 HDBaseT mirrored outputs
- Resolution up to 4K@60Hz 4:4:4
- HDMI ports transmit 18Gbps lossless uncompressed video bandwidth
- 18Gbps lossless compressed HDBaseT signal transmission
- 4K->1080P Down Scaler
- Dolby Vision, HDR10+, HLG are supported
- HDBaseT output can extend video transmission distance up to 328ft / 100 meters via a single CAT 5e/6/7 cable.
- HDMI audio pass-through up to 7.1CH HD audio (LPCM, Dolby TrueHD and DTS-HD Master Audio)
- ARC function on local HDMI and HDBaseT output ports
- IR matrix and Audio matrix are supported
- Smart EDID management
- 24V POC on all HDBaseT ports
- Control via front panel buttons, IR remote, RS-232, LAN, and Web GUI



## Packing List

---

- 1x 8 by 8 HDMI and HDBaseT Matrix Switch
- 8x HDBaseT Receiver
- 1x Matrix IR Remote
- 1x 100~240V AC 50/60Hz Power cable
- 1x RS-232 serial cable (1.5 meters, male to female head)
- 16x 3-pin Phoenix Connector
- 9x IR Blaster cable (1.5 meters)
- 10x 20~60KHz IR Receiver cable (1.5 meters)
- 18x Mounting Ear (Matrix and Receiver)
- 1x User Manual



# Specifications

Technical			
HDMI Compliance	HDMI 2.0b		
HDCP Compliance	HDCP 2.2 and HDCP 1.4		
Video Bandwidth	18Gbps		
Video Resolution	Up to 4K@50/60Hz (4:4:4)		
Color Space	RGB 4:4:4, YCbCr 4:4:4/2:2/4:2:0		
Color Depth	12-bit (4K), 16-bit (1080P)		
HDMI Audio Formats (Pass-through)	PCM2.0/5.1/7.1CH, Dolby Digital/Plus/EX, Dolby True HD, DTS, DTS-EX,DTS-96/24, DTS High Res, DTS-HD Master Audio, DSD		
Coax Audio Formats	PCM 2.0, Dolby Digital / Plus, DTS		
L/R Audio Formats	PCM2.0		
HDR formats	4:4:4, 4:2:2, 4:2:0 (10,12bit deep color) HDR10, HDR10+, Dolby Vision, HLG		
Infrared	20KHz ~ 60KHz		
ESD Protection	Human-body Model: ±8kV (Air-gap discharge) , ±4kV (Contact discharge)		
Connection			
Matrix	Inputs:	8 x HDMI Type A [19-pin female] 10x IR INPUT [3.5mm Stereo Mini-jack] 2x Stereo Audio [3.5mm Stereo Mini-jack B] 1x S/PDIF (OPTICAL) 1x S/PDIF (Digital COAX)	
	Outputs:	8 x HDMI Type A [19-pin female] 8 x HDBaseT port [RJ45] 9xIR OUTPUT [3.5mm Stereo Mini-jack] 8x RS-232 [3-pin Phoenix connector] 8x S/PDIF (Digital COAX) 8x Stereo Audio [3.5mm Stereo Mini-jack] 1x LAN [RJ45]	
	Controls:	1 x TCP/IP [RJ45] 1 x RS-232 [D-Sub 9]	
HDBaseT Receiver	Input:	1 x HDBT IN [RJ45, 8-pin female] 1x IR IN [3.5mm Stereo Mini-jack]	
	Outputs:	1x HDMI OUT [HDMI Type A, 19-pin female] 1x IR OUT [3.5mm Stereo Mini-jack]	
	Controls:	1x SERVICE [Micro USB, Update port] 1x RS-232 [Phoenix jack] 2x LAN [RJ45]	
Mechanical			
Housing	Metal Enclosure		
Color	Black		
Dimensions	TX: 440mm (W)×362mm (D)×88mm (H) RX: 163mm (W)×90.3mm (D)×18mm (H)		
Weight	TX: 6.9 kg, RX: 392g		
Power Supply	AC 100 - 240V 50/60Hz		
Power Consumption	128W (Max)		
Operating Temperature	0°C ~ 40°C / 32°F ~ 104°F		
Storage Temperature	-20°C ~ 60°C / -4°F ~ 140°F		
Relative Humidity	20~90% RH (non-condensing)		
Resolution / Distance	4K60 - Feet / Meters		
CAT5e/6/7	328ft / 100M		
Resolution / Cable length	4K60 - Feet / Meters	4K30 - Feet / Meters	1080P60 - Feet / Meters
HDMI IN / OUT	16ft / 5M	32ft / 10M	50ft / 15M

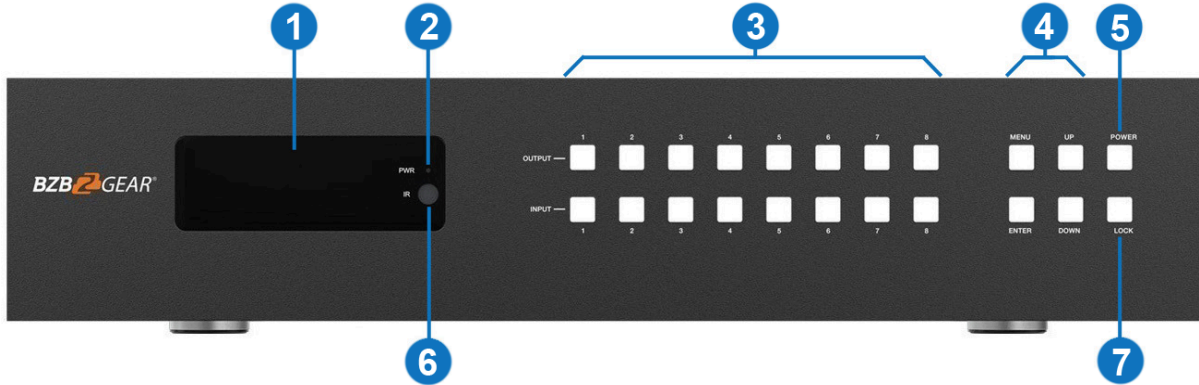
The use of "Premium High-Speed HDMI" cable is highly recommended.



# Operation Controls and Functions

## Matrix Panel

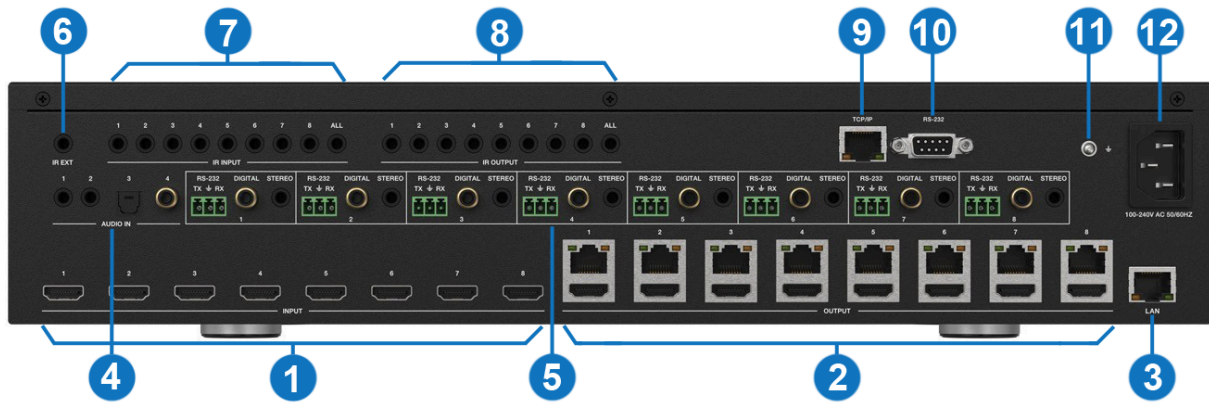
### Front Panel



NO.	Name	Function Description
1	OLED screen	Display matrix switching status, input / output port, EDID, Baud rate, and IP Address.
2	Power LED	The LED will illuminate in green when the product is working normally, and red when the product is in standby.
3	OUTPUT / INPUT buttons	First press an output button (1~8) and then press an input button (1~8) to select the corresponding input source for the output port.
4	MENU / ENTER / UP /DOWN	<ol style="list-style-type: none"> <li><b>EDID Check:</b> On the initial OLED display screen press the “MENU” button to enter the Matrix switching menu and then press “UP/DOWN” to check the current EDID information of each HDMI input port.</li> <li><b>EDID setting:</b> On the initial OLED display screen, press the “MENU” button to enter the “Select EDID” interface. Press the “UP/DOWN” buttons to select the required EDID and press the “ENTER” button to enter the “Copy to Input:” interface. Then, press the “UP/DOWN” buttons to select the input port you need to set and press the “ENTER” button again to confirm.</li> <li><b>Baud rate setting:</b> On the initial OLED display screen, press “MENU” button twice to enter “SELECT BAUD” interface and press the “UP/DOWN” buttons to select the required Baud rate. Finally, press the “ENTER” button to confirm the settings.</li> <li><b>IP Address Check:</b> On the initial OLED display screen press the “MENU” button three times to enter the IP interface and check the current IP address. Press the “UP/DOWN” buttons to switch DHCP ON/OFF, and then press the “ENTER” button to confirm the settings. Pressing the “MENU” button again will return to the initial OLED display.</li> </ol>
5	POWER button	Press and hold the POWER button for 3 seconds to enter the standby mode. Press the button again to wake up the device.
6	IR Window	It only receives the IR remote signal from this product.
7	LOCK button	Short press the LOCK button to lock front panel buttons (Except the power button); Press it again to unlock.



Rear Panel



No.	Name	Function Description
1	INPUT ports (1-8)	Connect to an HDMI source device such as Blu-ray player or game console with an HDMI cable.
2	OUTPUT ports (1-8)	Connect to an HDBaseT Receiver via a CAT cable. Connect to an HDMI display device such as a TV or monitor with an HDMI cable.
3	LAN	Connect to a router and the LAN ports of the HDBaseT Receiver can connect an Internet capable device such as PC or laptop to the network.
4	AUDIO IN ports	3.5mm Stereo Mini, S/PDIF optical, and digital coaxial audio input ports. Connect to external audio source devices such as a PC or media player.
5	RS-232 port (1-8)	Connect to a PC or control system by 3-pin phoenix connector serial cable to transmit commands between the Matrix and HDBaseT Receiver.
	DIGITAL port (1-8)	Connect to an audio output device such as an audio amplifier via a digital coaxial cable (audio is from the HDBaseT receiver unit).
	STEREO port (1-8)	Connect to an amplifier or speaker via a 3.5mm stereo mini audio cable (audio is from the HDBaseT receiver unit).
6	IR EXT	If the IR receiver window of the unit is blocked or the unit is installed in a closed area out of infrared line of sight, the IR receiver cable can be inserted to the "IR EXT" port to receive the IR remote signal.
7	IR INPUT ports	Connect to an IR receiver cable, the IR receive signal will emit to the "IR OUT" port of the corresponding HDBaseT Receiver.
8	IR OUTPUT ports	Connect to an IR blaster cable, the IR emit signal is from the "IR IN" port of the corresponding HDBaseT Receiver.
9	TCP/IP port	This port is the link port for TCP/IP control and to connect an active Ethernet connection for the base unit itself via RJ45.
10	RS-232 port	Connect to a PC or control system by D-Sub 9-pin cable to control the Matrix.
11	GND	Grounding terminal.
12	POWER input	Connect to 100~240V AC 50/60Hz power cable.

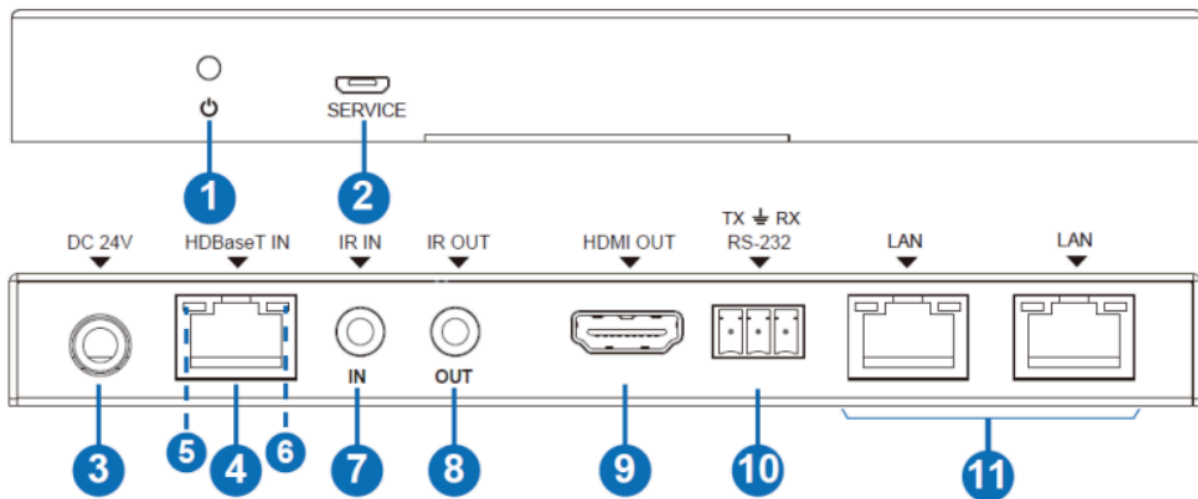


**OUTPUT port**

- Solid: HDMI signal with HDCP.
- Flashing: HDMI signal without HDCP.
- Dark: No HDMI signal.
- Solid: Matrix and HDBaseT Receiver are in good connection status.
- Flashing: Matrix and HDBaseT Receiver are in poor connection status.
- Dark: Matrix and HDBaseT Receiver are not connected.



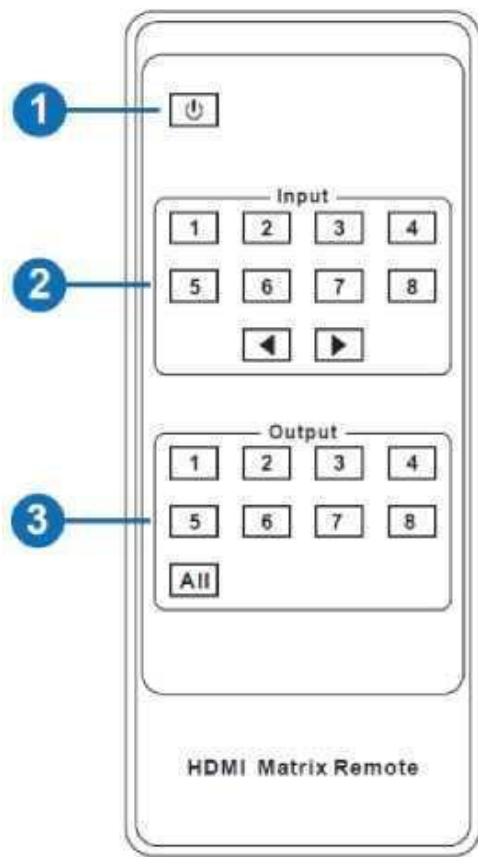
## HDBaseT Receiver Panel



No.	Name	Function Description
1	POWER LED	Power LED indicator, LED will illuminate when the device is connected with power supply.
2	SERVICE port	Firmware update port
3	DC 24V	Plug the DC 24V/1A power cord into this port and connect the adapter to an AC wall outlet. <b>Note:</b> The Matrix supports POC functionality so the Receiver doesn't need to connect to a power supply when the HDBaseT IN port is connected to the HDBaseT port of the Matrix.
4	HDBaseT IN port	Connect to the HDBaseT output port of the Matrix with CAT cable.
5	Connection Signal Indicator Lamp (Green)	<ul style="list-style-type: none"> <li>■ Solid: Matrix and Receiver are in good connection status.</li> <li>■ Flashing: Matrix and Receiver are in poor connection status.</li> <li>■ Dark: Matrix and Receiver are not connected.</li> </ul>
6	Data Signal Indicator Lamp (Orange)	<ul style="list-style-type: none"> <li>■ Solid: HDMI signal with HDCP.</li> <li>■ Flashing: HDMI signal without HDCP.</li> <li>■ Dark: No HDMI signal.</li> </ul>
7	IR IN	Connect to the IR receiver cable and the IR signal will emit to the corresponding IR OUT port of the Matrix.
8	IR OUT	Connect to the IR blaster cable and the IR signal will be received from the corresponding IR IN port of the Matrix.
9	HDMI OUT port	Connect to an HDMI display device such as a TV or monitor with an HDMI cable.
10	RS-232 port	Connect to a PC or control system by 3-pin phoenix connector cable to transmit commands for the Matrix via the HDBaseT Receiver.
11	LAN ports	Connect Ethernet cables to these ports to provide a wired Ethernet connection to local devices such as a PC or gaming console.



## IR Remote



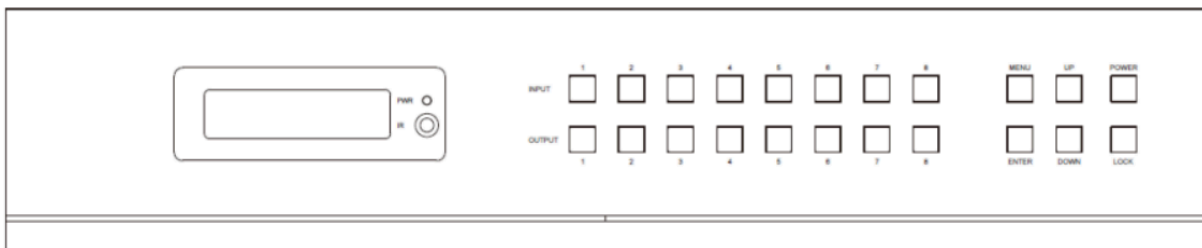
1. **Power on or Standby:** Power on the Matrix or set it to standby mode.
2. **Input 1/2/3/4/5/6/7/8:** Select input source buttons. Use ◀ ▶ to select the last or next input source.
3. **Output 1/2/3/4/5/6/7/8 button:** Select output port buttons.

**All:** Select an input source channel to be displayed on all outputs simultaneously. For example, when you press the “All” button and then press input “1,” the input “1” source will output to all display devices.

**Operating Instructions:** Press the output button for the display you wish to change and then press the desired input button to select the desired input source.

The Matrix can receive input and output signals from the IR remote in two ways.

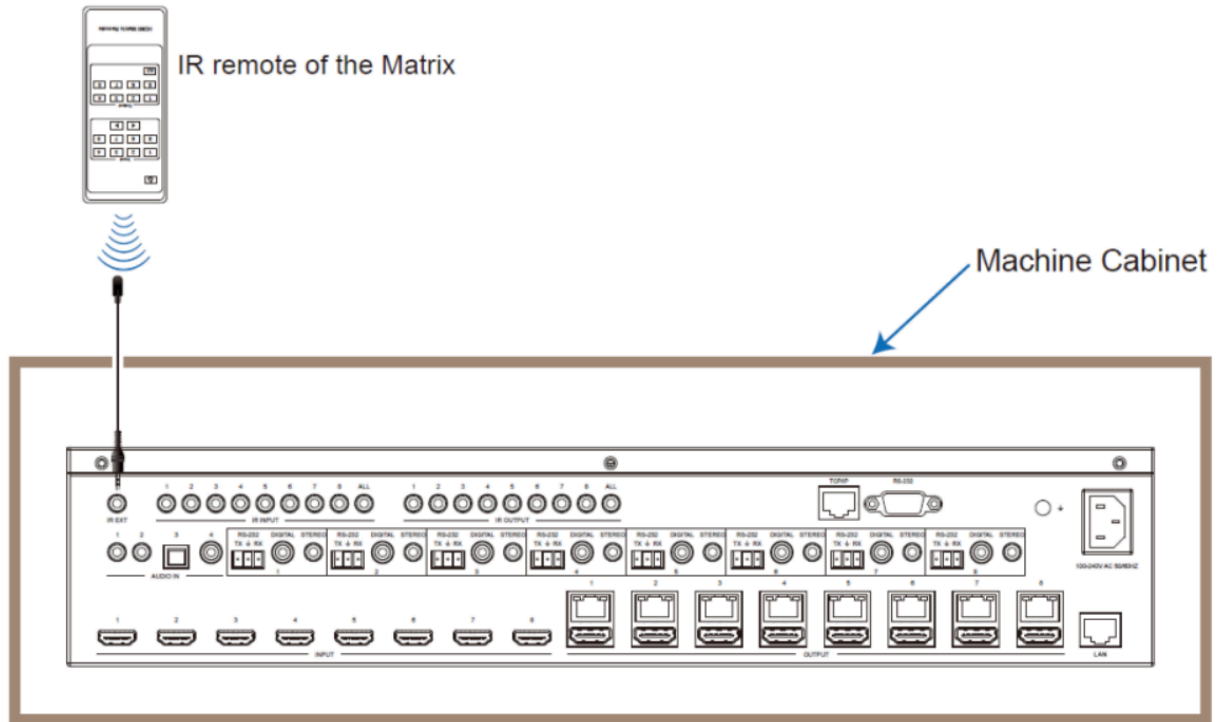
**1:** The IR window accepts the IR remote signal. When using the IR remote the furthest distance allowed is 23ft (7m) at an angle of  $\pm 45^\circ$ . A diagram is shown as below:



IR remote of the Matrix



**2:** If the IR receiver window of the Matrix is blocked or the Matrix is installed in a closed area out of infrared line of sight, an IR receiver cable can be inserted to the “IR EXT” port on the rear of the matrix to receive the IR remote signal. When using the IR remote the furthest distance allowed is 23ft (7m) at an angle of  $\pm 45^\circ$ . A diagram is shown as below:





## IR Control System

The BG-UM88-100M-KIT also supports bi-directional IR control. When the matrix is connected to a HDBaseT receiver through a Cat 5e/6/7 cable, you can control the remote display device (HDBaseT) or input source device (matrix) through an IR signal transmission. NOTE: The IR signal transmission method is different from matrix (local) to HDBaseT receiver (remote) and from HDBaseT receiver (remote) to matrix (local).

**At the matrix (local end):** The IR signal is a one-to-one transmission. For example, the IR IN 1 port signal of the matrix will emit to the IR OUT port of the HDBaseT Receiver 1, and the IR IN 3 port of the matrix will emit a signal to the IR OUT port of the HDBaseT Receiver 3, etc. The IR path from the base unit to the receiver is bonded to the corresponding HDMI port. The IR IN ALL port of the matrix will emit to all IR OUT ports of HDBaseT receivers simultaneously. Please see the following connection diagram.

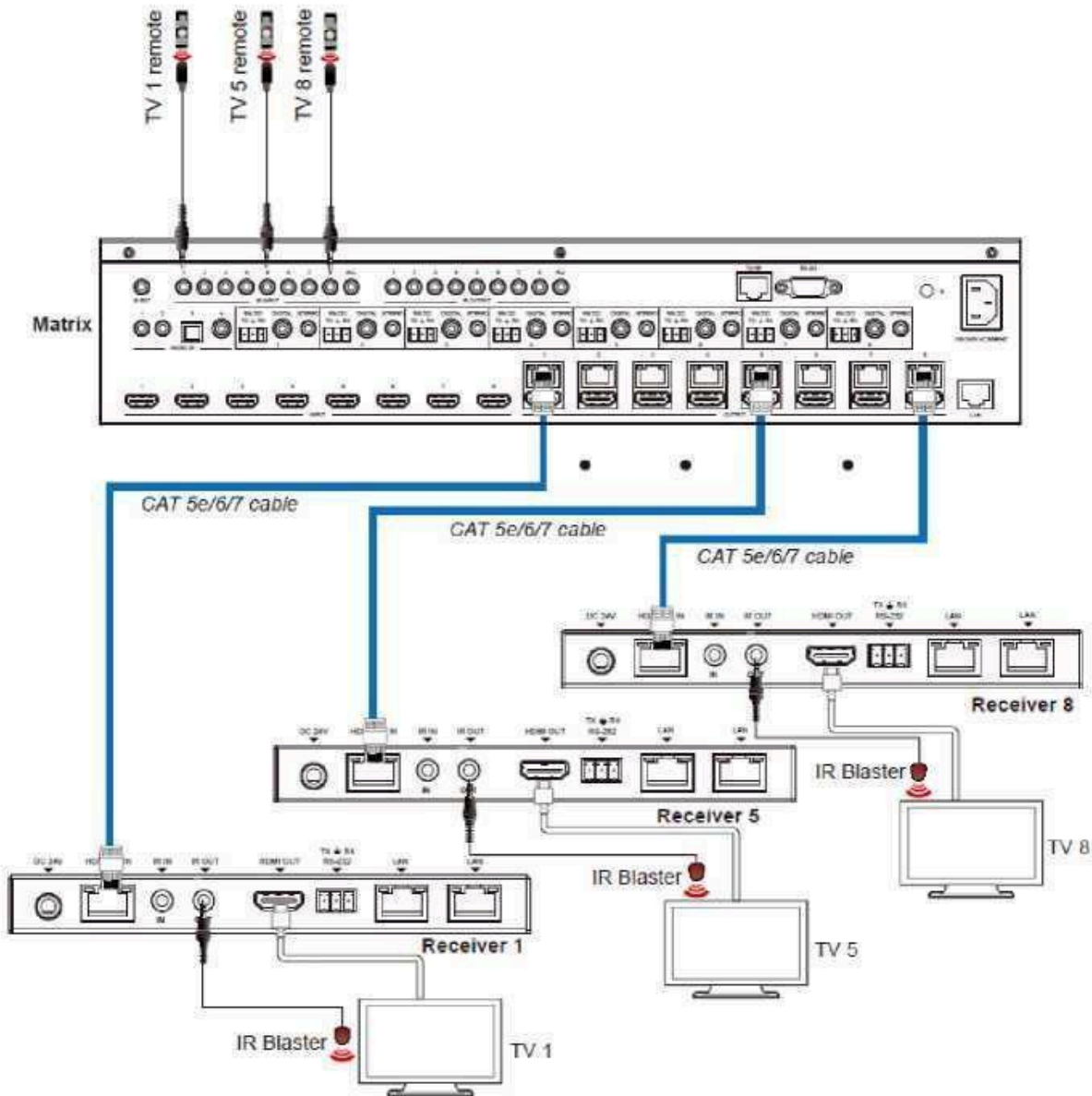
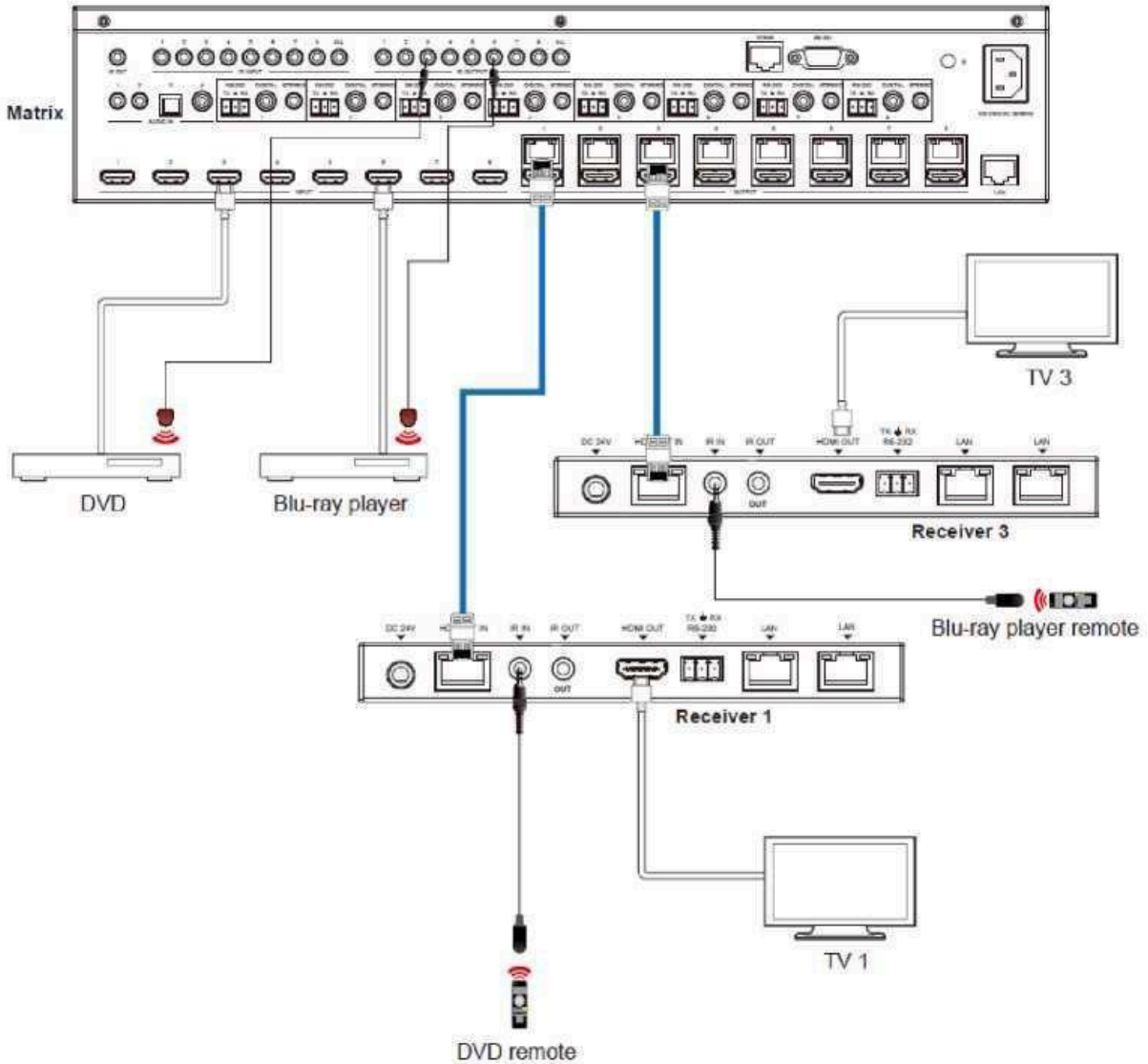


Figure 1: IR connection diagram (Matrix end)



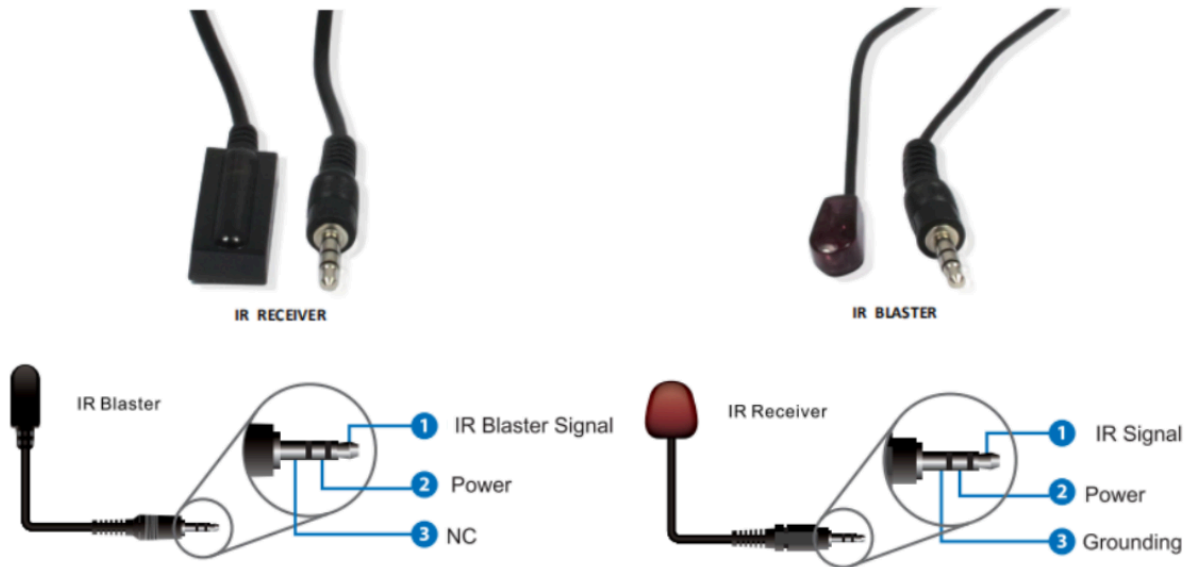
**At HDBaseT receiver (Remote end):** The IR signal follows the video switch/change. For example, the HDMI output signal on the HDBaseT Receiver 1 is from the HDMI INPUT 3 port, so the IR input signal of the HDBaseT Receiver 1 will emit to the IR OUTPUT 3 port of the Matrix. If the HDMI output signal on the HDBaseT Receiver 3 is from the HDMI INPUT 6, then the IR input signal of HDBaseT Receiver 3 will emit to the IR OUTPUT 6 port of the Matrix etc. Any HDBaseT Receiver's IR IN signal can output from the IR OUTPUT ALL port of the Matrix. The IR signal of the Matrix IR ALL port depends on the IR remote for the source device. Please see the following connection diagram.



**Figure 2: IR connection diagram (HDBaseT Receiver end)**



## IR Cables



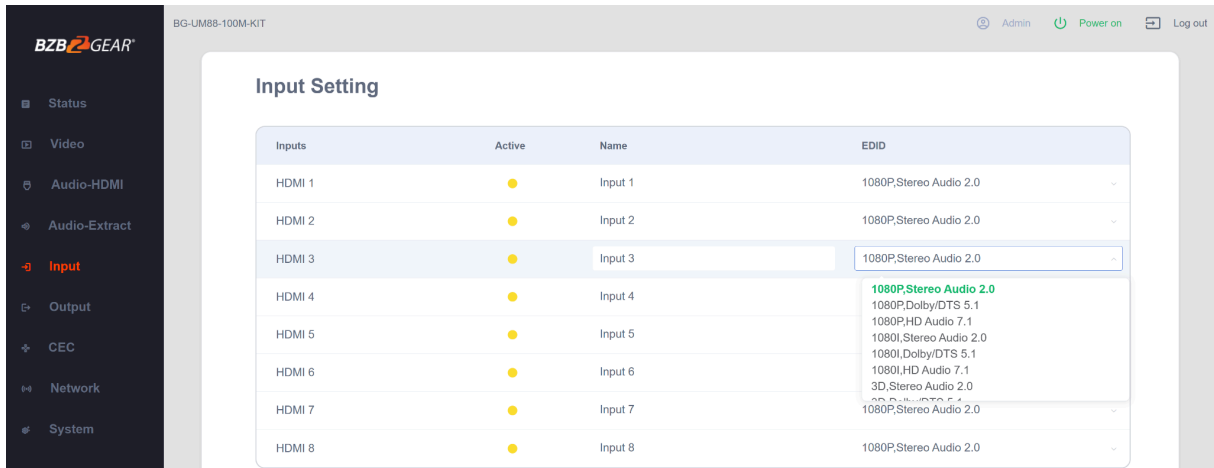
## EDID Management

The BG-UM88-100M-KIT has 21 factory defined EDID settings, 2 user-defined EDID modes, and 16 copy EDID modes. You can select “Defined EDID” or “Copy EDID” modes to input ports through the front panel buttons, ASCII control, or Web GUI.

**Front panel button operation:** On the initial OLED display screen press the “MENU” button to enter the EDID setting interface and then press “UP/DOWN” button to select the required EDID. Press the “ENTER” button and a prompt “copy to input :” will appear. Press the “UP/DOWN” buttons to select the input port you need to set and press the “ENTER” button again to confirm this operation.

**RS-232 control operation:** Connect the Matrix to a PC via serial cable and then open a Serial Command tool such as Dock Lite or Access Port on the PC to send the ASCII command “s edid in x from z!” to set EDID. For details, please refer to “EDID Setting” in the ASCII command list section of this manual.

**Web GUI Operation:** Please check the EDID management sub section under the Web GUI User Guide section of this manual.



The EDID setting list of the product is shown as below:

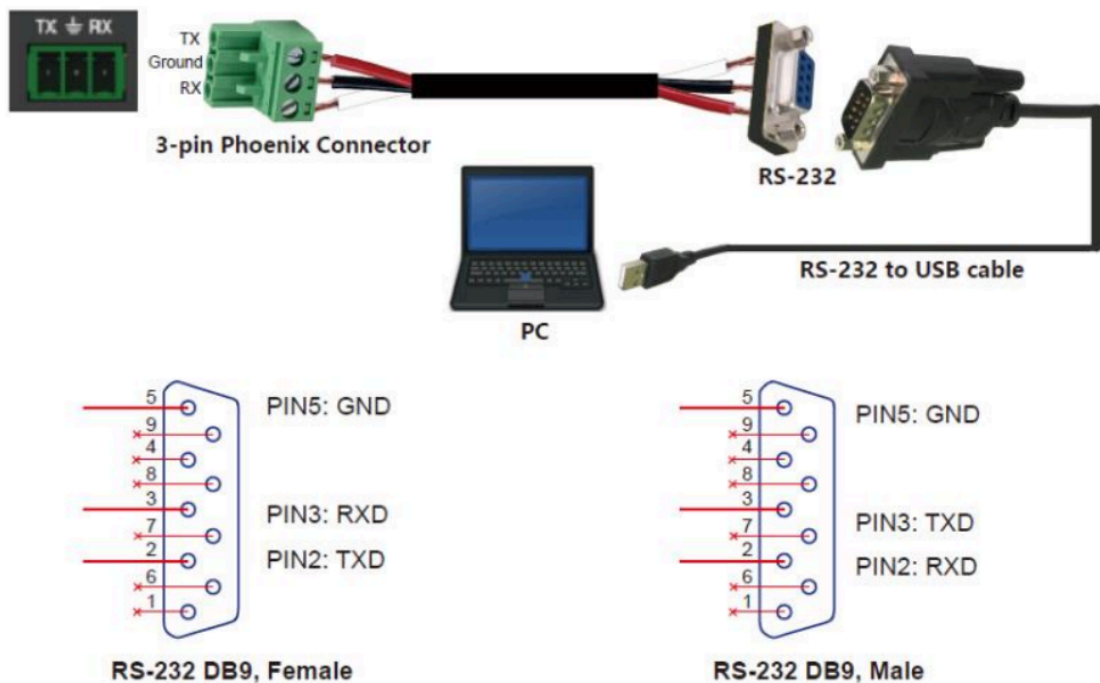
EDID Mode	EDID Description
1	1080p, Stereo Audio 2.0
2	1080p, Dolby/DTS 5.1
3	1080p, HD Audio 7.1
4	1080i, Stereo Audio 2.0
5	1080i, Dolby/DTS 5.1
6	1080i, HD Audio 7.1
7	3D, Stereo Audio 2.0
8	3D, Dolby/DTS 5.1
9	3D, HD Audio 7.1
10	4K2K30_444, Stereo Audio 2.0
11	4K2K30_444, Dolby/DTS 5.1
12	4K2K30_444, HD Audio 7.1
13	4K2K60_420, Stereo Audio 2.0
14	4K2K60_420, Dolby/DTS 5.1
15	4K2K60_420, HD Audio 7.1
16	4K2K60_444, Stereo Audio 2.0
17	4K2K60_444, Dolby/DTS 5.1
18	4K2K60_444, HD Audio 7.1
19	4K2K60, Stereo 2.0 HDR
20	4K2K60, Dolby/DTS 5.1 HDR
21	4K2K60, HD Audio 7.1HDR
22	User1
23	User2
24~31	Copy from HDMI output 1~8
32~39	Copy from HDBaseT output 1~8



## Matrix Audio and RS-232 Introduction

The audio matrix supports up to 28 channels of audio input and 16 channels of audio output. Audio input channels include the 8 HDMI inputs, 8 HDMI output's ARC audio, the 8 HDBaseT output's ARC audio, 2 stereo 3.5mm analog audio inputs, 1 S/PDIF optical audio input, and 1 channel coaxial audio input. Audio outputs include 8 coaxial/analog audio outputs (When the audio format is set to PCM the coaxial audio and analog audio are the same; when it is multi-channel audio, only the coaxial audio output is active), and 8 HDMI audio embedded outputs. You can switch audio and set audio parameters through RS-232 commands and the Web GUI. Please refer to the Web GUI and RS-232 sections of this manual for more information.

The RS-232 channels are also one-to-one transmission. For example, the RS-232 port of OUTPUT 1 at the matrix end will transmit to the RS-232 port of HDBaseT Receiver 1, the RS-232 port of OUTPUT 3 at the matrix end will transmit to the RS-232 port of HDBaseT Receiver 3 etc. Please see the following connection diagram for reference:





## Web GUI User Guide

---

The matrix can be controlled through a web interface and its operation is shown below.

**Step 1:** Get the current IP Address.

The default IP address is 192.168.1.100. You can get the current matrix IP address in two ways:

1. You can get the IP address using the front panel buttons. On the initial OLED display, press the “MENU” button three times to enter the IP interface and check the current IP address.
2. You can get the IP address via RS-232 control. Send the ASCII command “ r ipconfig!” through a Serial Command tool which will return the following information:

```
IP Mode: DHCP
IP:192.168.62.109
Subnet Mask:255.255.255.0
Gateway:192.168.62.1
TCP/IP port:8000
Telnet port:23
Mac address:6c-df-fb-0c-b3-8e
```

IP: 192.168.62.109 in the above figure is the IP Address of the Matrix (the IP address is variable, depending on what the specific machine returns).

For the details of RS-232 control, please refer to “12. RS-232 Control Command”.

**Step 2:** Connect the TCP/IP port of the matrix to a PC with an ethernet cable (as shown in the following figure) and set the IP address of the PC to be in the same network as the matrix.

The computer must be on the same subnet as the matrix to connect successfully. The device will not be accessible otherwise. The unit's default IP address is 192.168.1.100, therefore the computer must be connected to the 192.168.1.x subnet.

To connect to the matrix, open the “Local Area Connection Properties” on the computer.

For Windows users right-click on the internet connection in the lower right corner of the desktop.

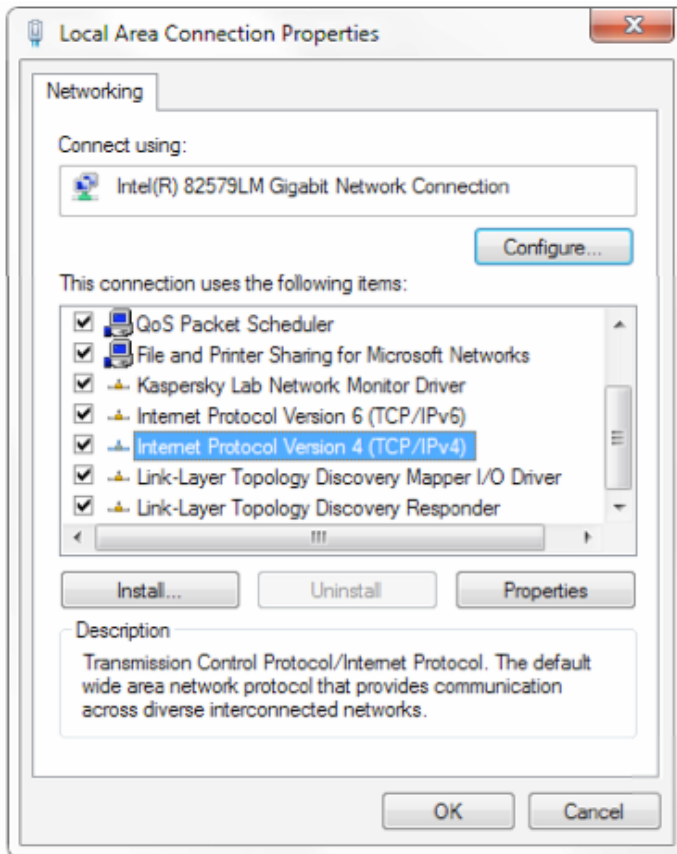
Select “**Open Network & Internet Settings**”.

Select “**Change Adapter Options**”.

Right-click on your connection (Wi-Fi or Ethernet) and select “**Properties**”.



Select “**Internet protocol version 4 (TCP/IPv4)**” as shown below and click “**Properties**”.



Click on the bubble for “**Use the following IP address**”

In the **IP address** field enter a non-conflicting IP address on the same subnet as the camera. If there is another device with the same IP address you will not be able to connect.

In the **Subnet mask** field enter 255.255.255.0

In the **Default gateway** field type 192.168.1.1

You can leave the DNS fields blank.

Click **OK** to apply your settings.

**Step 3:** Input the IP address into your browser on the PC to enter the Web GUI page.

After entering the Web GUI page, there will be a Login page, as shown below:



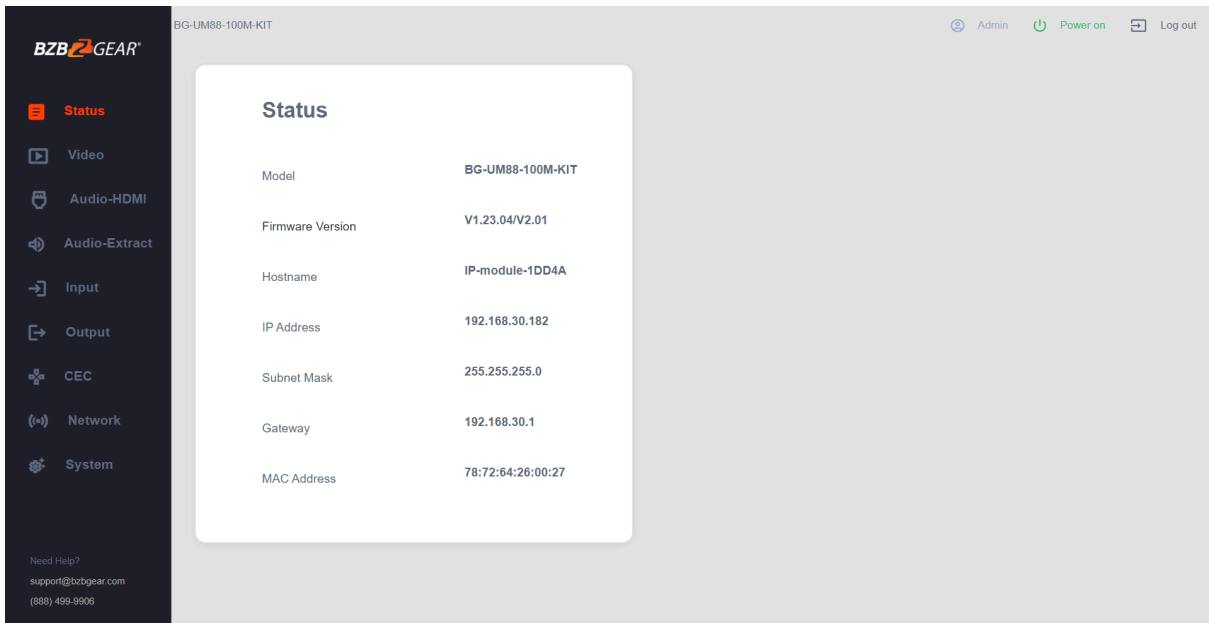
Select the Username from the list and enter the password. The default passwords are:

Username	<b>User</b>	<b>Admin</b>
Password	<b>user</b>	<b>admin</b>

After entering the password, click the “LOGIN” button and the following Status page will appear.

## Status Page

The Status page provides basic information about the installed firmware version and the network settings of the device.





## Video Page

The screenshot displays the BZBGear BG-UM88-100M-KIT Video Page interface. On the left is a dark sidebar with navigation options: Status, Video (highlighted), Audio-HDMI, Audio-Extract, Input, Output, CEC, Network, and System. The main content area is divided into two sections: 'Switch' and 'Presets'.

**Switch Section:** A table with two columns: 'Output' and 'Input'. The 'Output' column lists HDMI Out 1 through HDMI Out 8. The 'Input' column has a dropdown menu for each output, currently showing 'Input 4' selected for HDMI Out 4. A list of input options (Input 1 through Input 7) is visible below the dropdown.

**Presets Section:** A table with four columns: 'Presets Name', 'Presets Set', 'Presets Save', and 'Presets Clear'. It lists eight presets (Preset 1 to Preset 8). Each preset row contains a yellow 'Set' button, a green 'Save' button, and a red 'Clear' button.

Perform the following operations on the Video page:

1. **Output:** Lists the device's OUTPUT ports.
2. **Input:** Click the drop-down menu to select a signal source for the corresponding OUTPUT port.
3. **Presets Name:** Edit the name of a preset up to a maximum length of 12 characters.
4. **Presets:** Restore the settings of the last saved audio-video matrix configuration.
5. **Presets Save:** Save audio-video matrix switching configuration.
6. **Presets Clear:** Clear the saved audio-video matrix switching configuration.



## Audio-HDMI Page

Perform following operations on the Audio-HDMI page:

1. **HDMI:** Lists the name of the output channel.
2. **Audio Source:** The audio input source of the selected output. Switch the input source by clicking the corresponding drop-down box to select the desired input.

## Audio-Extract Page

Perform the following operations on the Audio-Extract page:

1. **Channel:** Lists the name of the output channel.
2. **Audio Source:** The audio input source of the selected output. Switch the input source by clicking the corresponding drop-down box to select the desired input.
3. **Audio Delay:** Set the output delay. You can modify it by entering the desired value (range: 0 ~ 300) in the input box.
4. **Mute:** Mute or unmute the audio of the output by clicking the green button.
5. **Audio Volume (Analog):** You can set the volume (range: 0~30) for the analog outputs by clicking “-”/“+” or entering the a value in the input box.



## Input Page

The screenshot shows the 'Input Setting' page for the BG-UM88-100M-KIT device. The page features a sidebar with navigation options: Status, Video, Audio-HDMI, Audio-Extract, **Input**, Output, CEC, Network, and System. The main content area is divided into three sections:

- Input Setting:** A table listing 8 HDMI inputs. Each row includes the input name (HDMI 1-8), an 'Active' status (indicated by a yellow dot), a 'Name' (Input 1-8), and an 'EDID' (1080P, Stereo Audio 2.0). A dropdown arrow is visible next to each EDID entry.
- Load EDID to user memory:** A section with a 'Select EDID File:' field containing a 'Browse' button, a 'Select Destination:' dropdown menu set to 'User Define1', and an 'Upload' button.
- DownLoad EDID to your computer:** A section with a 'Select EDID File:' dropdown menu set to 'HDMI IN1' and a 'Download' button.

Perform the following operations on the Input page:

1. **Inputs:** Input port of the device.
2. **Active:** Indicates whether the channel is connected to a signal source (green = active / yellow = inactive).
3. **Name:** Edit the input port's name up to a maximum length of 12 characters.
4. **EDID:** Set the selected channel's EDID. The specific operation is as follows:

### Set EDID for the User

Click the "Browse" button and then select the bin file. If you select the wrong EDID file the system will prompt "Invalid EDID file."

Select "User 1" or "User 2" and then click "Upload" and the system will prompt "Upload Successful!" if the operation was completed successfully.

### Download the EDID File for the Corresponding Input Channel

Click the drop-down box of "Select EDID File" and select the desired input channel. Click "Download" to download the EDID file.



## Output Page

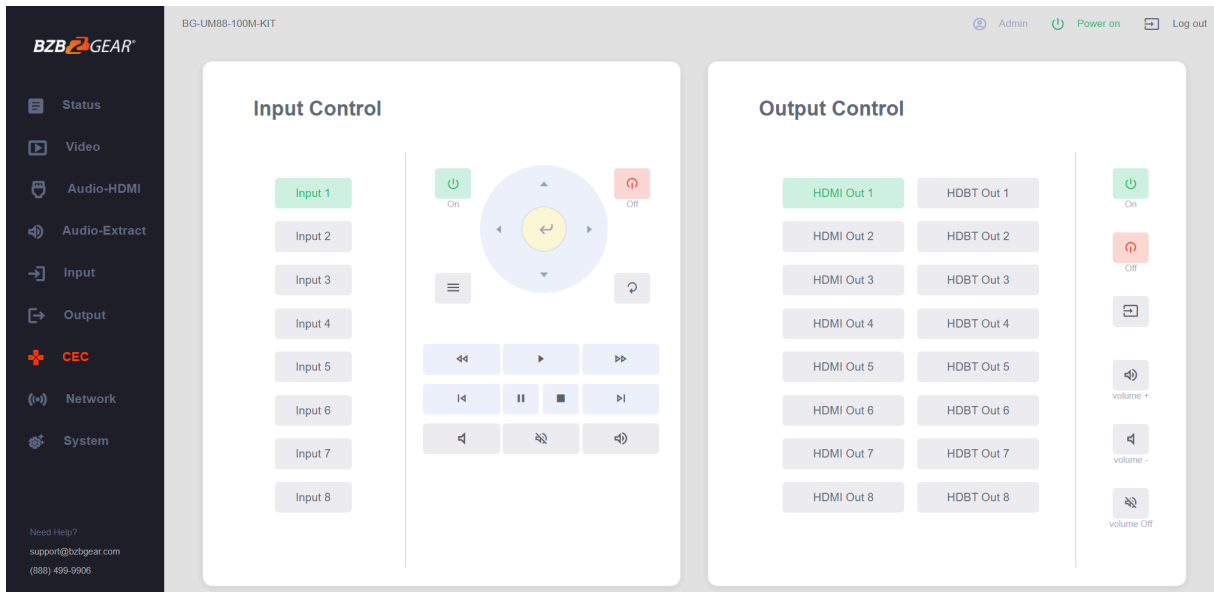
Outputs	Name	Type	Cable	Scaler Mode	ARC	Stream
Output 1	HDMI Out 1	HDMI	●	Bypass	On Off	On Off
	HDBT Out 1	HDBT	●	Bypass	On Off	On Off
Output 2	HDMI Out 2	HDMI	●	Bypass	On Off	On Off
	HDBT Out 2	HDBT	●	Bypass	On Off	On Off
Output 3	HDMI Out 3	HDMI	●	Bypass	On Off	On Off
	HDBT Out 3	HDBT	●	Bypass	On Off	On Off
Output 4	HDMI Out 4	HDMI	●	Bypass	On Off	On Off
	HDBT Out 4	HDBT	●	Bypass	On Off	On Off
Output 5	HDMI Out 5	HDMI	●	Bypass	On Off	On Off
	HDBT Out 5	HDBT	●	Bypass	On Off	On Off
Output 6	HDMI Out 6	HDMI	●	Bypass	On Off	On Off
	HDBT Out 6	HDBT	●	Bypass	On Off	On Off
Output 7	HDMI Out 7	HDMI	●	Bypass	On Off	On Off
	HDBT Out 7	HDBT	●	Bypass	On Off	On Off
Output 8	HDMI Out 8	HDMI	●	Bypass	On Off	On Off
	HDBT Out 8	HDBT	●	Bypass	On Off	On Off

Users can perform the following operations on the Output page:

1. **Outputs:** Output channel of the device.
2. **Name:** The current output channel's name. You can modify it by entering the corresponding name (max length: 12 characters) in the input box
3. **Type:** The current output channel's type (HDMI or HDBT).
4. **Cable:** It indicates the connection status of output ports. When the output port is connected to the display, it shows green, otherwise, it shows gray.
5. **Scaler Mode:** Set the current output resolution mode.
6. **ARC:** Turn on/off the ARC function.
7. **Stream:** Turn on/off the output stream



## CEC Page



Users can perform CEC management on this page:

1. **Input Control:** Control the operation of each input source by pressing the icons on the page.
2. **Output Control:** Control the operation of each display, such as power on/off, volume +/-, active source switching.

**Note:** Not every device will be compatible with CEC control or may have limited functionality.



## Network Page

### Set the Default Network

Click the “Set Network Defaults” button and there will be a prompt, as shown in the following figure:

Click “OK” and the configuration will be reset. The unit will automatically search for the IP Address again. After searching is complete the matrix will switch to the login page.

### Modify Network Setting

Modify the Mode/IP Address/Gateway/Subnet Mask/Telnet Port as required, click the “Save” to save the settings and have changes take effect.

After changing the settings if the Mode is set to “Static” the unit will switch to the corresponding IP Address; if the Mode is “DHCP”, it will automatically search and switch to the IP Address assigned by the router.



## Modify User Password

Click the “User” or “Admin” buttons and enter the correct Old Password, a New Password, and Confirm the New Password then click “Save”. A prompt will be displayed letting you know the changes were successful.

**Note:** Rules for changing passwords:

1. The password field cannot be empty.
2. The new password cannot be the same as the old password.
3. The new password and confirm password must be the same.

## System Page

1. **Panel Lock:** Click “Panel Lock” to lock/unlock panel buttons. “On” indicates that panel buttons are unavailable; “Off” indicates panel buttons are available.
2. **Beep:** Click “Beep” to turn on/off the system confirmation beep.
3. **LCD:** You can turn on/off the LCD, and set the idle display time (15s/30s/60s).
4. **Serial Baud Rate:** Click the value to set the Serial Baud Rate.



5. **Firmware Update:** Click “Browse” to select the update file and then click “Update” to complete firmware update.
6. **Factory Reset:** You can reset the machine to factory defaults by clicking “Reset”.
7. **Reboot:** You can reboot the machine by clicking “Reboot”.

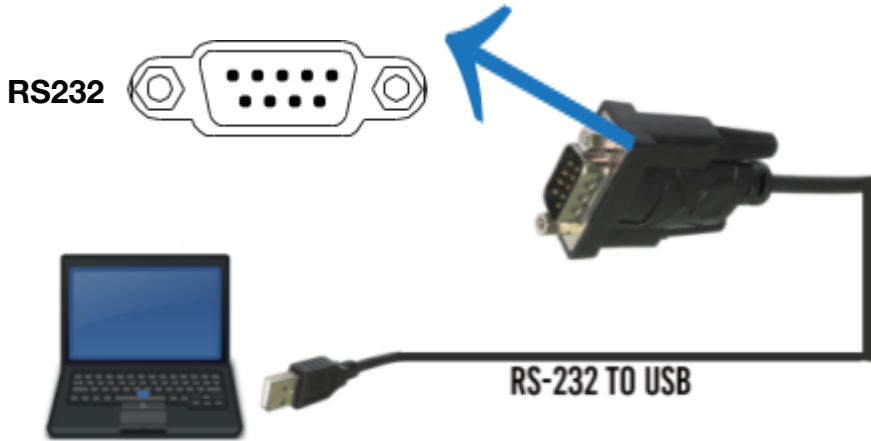
**Note:** After reset/reboot, the unit will switch to the login page.

**Auto Reboot:** The Auto Reboot function allows the BG-4K-44MA to restart automatically on a scheduled basis. Enable or disable the feature, then select a Daily, Weekly, or Monthly reboot schedule. When set to Weekly or Monthly, choose the desired day and time. This feature helps maintain stable operation and is recommended for long-term or continuous-use installations.



## RS-232 Control Commands

The BG-UM88-100M-KIT also supports RS-232 control. A serial cable with RS-232 male head and DB9 transfer USB male head is needed to connect successfully. The RS-232 head of the serial cable is connected to the RS-232 control port with DB 9 at the rear of the Matrix, and the USB head of the serial cable is connected to a PC. The connection method is as follows:



Then, open a Serial Command tool on PC to send ASCII command to control the Matrix. The ASCII command list about the product is shown as below.

ASCII Command
Serial port protocol. Baud rate: 115200, Data bits: 8bit, Stop bits:1, Check bit: 0
x - Parameter 1 y - Parameter 2 ! - Delimiter

ASCII Command	Function Description	Example	Feedback	Default Setting
<b>Power</b>				
s power z!	Power on/off the device,z=0~1 (z=0 power off, z=1 power on)	s power 1!	Power on System Initializing... Initialization Finished! power off POWER 0	power on
r power!	Get current power state	r power!	power on/power off	
s reboot!	Reboot the device	s reboot!	Reboot... System Initializing... Initialization Finished! FW version 1.00.01	
<b>System Setup</b>				
help!	List all commands	help!		
r type!	Get device model	r type!	HDM-B88H100P	
r status!	Get device current status	r status!	Get the unit all status power, beep, lock, in/ out connection, video/ audio crosspoint, edid, scaler,hdc, network status	
r fw version!	Get Firmware version	r fw version!	MCU BOOT: V1.00.02 MCU APP: V1.00.01 WEB GUI: V1.01	
r link in x!	Get the connection status of the x input port, x=0~8(0=all)	r link in 1!	hdmi input 1: connect	
r link out y!	Get the connection status of the y output port, y=0~8(0=all)	r link out 1!	hdmi output 1: connect hdmi output 2: connect	



ASCII Command	Function Description	Example	Feedback	Default Setting
s reset!	Reset to factory defaults	s reset!	Reset to factory defaults System Initializing... Initialization Finished! FW version 1.00.01	
s beep z!	Enable/Disable buzzer function, z=0~1 (z=0 beep off, z=1 beep on)	s beep 1!	beep on beep off	beep on
r beep!	Get buzzer state	r beep!	beep on / beep off	
s lock z!	Lock/Unlock front panel button, z=0~1 (z=0 lock off,z=1 lock on)	s lock 1!	panel button lock on panel button lock off	panel button lock off
r lock!	Get panel button lock state	r lock!	panel button lock on/off	
	Set LCD screen remain on time,			
s lcd on time z!	z=0~4 (0: off, 1:always on, 2:15s, 3:30s, 4:60s)	s lcd on time 1!	lcd on always	lcd on 30 seconds
r lcd mode!	Get the backlight status of lcd screen	r lcd mode!	lcd on always	
	Save switch state between all		save to preset 1	
s save preset z!	output port and the input port to preset z, z=1~8	s save preset 1!		
s recall preset z!	Call saved preset z scenarios, z=1~8	s recall preset 1!	recall from preset 1	
s clear preset z!	Clear stored preset z scenarios, z=1~8	s clear preset 1!	clear preset 1	
r preset z!	Get preset z information, z=1~8	r preset 1!	video/audio crosspoint	
s ptp!		s ptp!	ptp	ptp
<b>Output Setting</b>				
s in x av out y!	Set input x to output y, x=1~8, y=0~8(0=all)	s in 1 av out 2!	input 1 -> output 2	input 1 -> output 1 input 2 -> output 2 input 3 -> output 3 input 4 -> output 4 input 5 -> output 5 input 6 -> output 6 input 7 -> output 7 input 8 -> output 8
r av out y!	Get output y signal status y=0~8(0=all)	r av out 0!	input 1 -> output 1 input 2 -> output 2 ..... input 7 -> output 7 input 8 -> output 8	
s hdmi y stream z!	Set hdmi output y stream on/off, y=0~8(0=all) z=0~1 (0:disable,1 :enable)	s hdmi 1 stream 1! s hdmi 0 stream 1!	Enable hdmi output 1 stream Disable hdmi output 1 stream Enable hdmi all outputs stream Disable hdmi all outputs stream	Enable hdmi all outputs stream
r hdmi y stream!	Get hdmi output y stream status, y=0~8(0=all)	r hdmi 1 stream!	Enable hdmi output 1 stream Disable hdmi output 1 stream	
s hdbt y stream z!	Set hdbt output y stream on/off, y=0~8(0=all) z=0~1 (0:disable,1 :enable)	s hdbt 1 stream 1! s hdbt 0 stream 1!	Enable hdbt output 1 stream Disable hdbt output 1 stream Enable hdbt all outputs stream Disable hdbt all outputs stream	Enable hdbt all outputs stream
r hdbt y stream!	Get hdbt output y stream status, y=0~8(0=all)	r hdbt 1 stream!	Enable hdbt output 1 stream Disable hdbt output 1 stream	



ASCII Command	Function Description	Example	Feedback	Default Setting
s hdmi y scaler z!	Set hdmi output y port output scaler mode, y=0~8(0=all), z=1~3(1=bypass,2=4k->1080p, 3=Auto)	s hdmi 1 scaler 1! s hdmi 0 scaler 1!	hdmi output 1 set to bypass mode hdmi all outputs set to bypass mode	hdmi all outputs set to bypass
r hdmi y scaler!	Get hdmi output y port output mode y=0~8(0=all)	r hdmi 1 scaler!	hdmi output 1 set to bypass mode	
s hdbt y scaler z!	Set hdbt output x port output scaler mode, y=0~8(0=all), z=1~3(1=bypass,2=4k->1080p, 3=Auto)	s hdbt 1 scaler 2! s hdbt 0 scaler 2!	hdbt output 1 set to 4k->1080p mode hdbt all outputs set to 4k->1080p mode	hdbt all outputs set to bypass
r hdbt y scaler !	Get hdbt output y port output scaler mode y=0~8 (0=all)	r hdbt 1 scaler !	hdbt output 1 set to 4k->1080p mode	
<b>EDID Setting</b>				
s edid in x from z!	Set input x EDID from default EDID z, x=0~8 (0=all), z=1~39 1= 1080p,Stereo Audio 2.0 2=1080p,Dolby/DTS 5.1 3=1080p,HD Audio 7.1 4=1080i,Stereo Audio 2.0 5=1080i,Dolby/D 1 S 5.1 6=1080i,HD Audio 7.1 7=3D,Stereo Audio 2.0 8=3D,Dolby/D 1 S 5.1 9=3D,HD Audio 7.1 10=4K2K30_444, StereoAudio 2.0 11=4K2K30_444,Dolby/DTS 5.1 12=4K2K30_444,HD Audio 7.1 13=4K2K60_420,StereoAudio 2.0 14=4K2K60_420,Dolby/D 1S 5.1 15=4K2K60_420,HD Audio 7.1 16=4K2K60_444,StereoAudio 2.0 1 17=4K2K60_444,Dolby/D 1S 5.1 18=4K2K60_444,HD Audio 7.1 19=4K2K60_444,Stereo Audio 2.0 HDR 20=4K2K60 444,Dolby/D 1S 5.1 HDR 21=4K2K60 444,HD Audio 7.1 HDR 22=User1 23=User2 24~31 =copy from hdmi output 1~8 32~39=copy from hdbt output 1~8	s edid in 1 from 1!	IN 1 EDID:1080p, Stereo Audio 2.0	IN1: 1080p, Stereo Audio 2.0 IN2: 1080p, Stereo Audio 2.0 IN3: 1080p, Stereo Audio 2.0 IN4: 1080p, Stereo Audio 2.0 IN5: 1080p, Stereo Audio 2.0 IN6: 1080p, Stereo Audio 2.0 IN7: 1080p, Stereo Audio 2.0 IN8: 1080p, Stereo Audio 2.0
r edid in x!	Get EDID status of the input x, x=0~8(0=all input)	r edid in 0!	IN1 EDID: 4K2K60_444,Stereo Audio 2.0 IN2 EDID: 4K2K60_444,Stereo Audio 2.0 IN3 EDID: 4K2K60_444,Stereo Audio 2.0 IN4 EDID: 4K2K60_444,Stereo Audio 2.0 IN5 EDID: 4K2K60_444,Stereo Audio 2.0 IN6 EDID: 4K2K60_444,Stereo Audio 2.0 IN7 EDID: 4K2K60_444,Stereo Audio 2.0 IN8 EDID: 4K2K60_444,Stereo Audio 2.0	
r edid data hdmi y!	Get the EDID data of the hdmi output y port, y=1~8	r edid data hdmi 1!	EDID: 00 FF FF FF FF FF FF 00	
r edid data hdbt y!	Get the EDID data of the hdbt output y port, y=1~8	r edid data hdbt 1!	EDID: 00 FF FF FF FF FF FF 00	
r internal edid!	Get all built-in EDID information for unit support	r internal edid!	1,1080p,Stereo Audio 2.0 2,1080p,Dolby/DTS 5.1 3,1080p,HD Audio 7.1 4,1080i,Stereo Audio 2.0 ..... 20,4K2K60,Dolby/DTS 5.1 HDR 21,4K2K60,HD Audio 7.1 HDR	



ASCII Command	Function Description	Example	Feedback	Default Setting
<b>Audio Setting</b>				
s hdmi y arc z!	Turn on/off ARC of HDMI output y, y=0~8(0=all) z=0~1(z=0,off,z=1 on)	s hdmi 1 arc 1! s hdmi 0 arc 1!	hdmi output 1 arc on hdmi output 1 arc off hdmi all outputs arc on hdmi all outputs arc off	hdmi all outputs arc off
r hdmi y arc!	Get the ARC state of HDMI output y, y=0~8(0=all)	r hdmi 1 arc!	hdmi output 1 arc on	
s hdbt y arc z!	Turn on/off ARC of HDBT output y, y=0~8(0=all) z=0~1(z=0,off,z=1 on)	s hdbt 1 arc 1! s hdbt 0 arc 1!	hdbt output 1 arc on hdbt output 1 arc off hdbt all outputs arc on hdbt all outputs arc off	hdbt all outputs arc off
r hdbt y arc!	Get the ARC state of HDMI output y, y=0~8(0=all)	r hdbt 1 arc!	hdbt output 1 arc on	
s out y audio from z!	Set HDMI/HDBT output audio y=0~8(0=all),z=0~28 z=0, Default z=1~8 from HDMI input 1~8 z=9~16 from HDMI out 1~8 ARC z=17~24 from HDBT out 1~8 ARC z=25~28 from embed audio 1~4 Attention: when z=0,HDMI/HDBT audio can't set audio delay.	s out 1 audio from 1! s out 0 audio from 1!	HDMI/HDBT output 1 audio: from HDMI input 1 HDMI/HDBT all outputs audio: from HDMI input 1	HDMI/HDBT all outputs from default
r out y audio!	Get HDMI/HDBT output audio status y=0~8(0=all)	r out 1 audio!	HDMI/HDBT output 1 from HDMI input 1	
s coax_analog out y audio from z!	Set coaxial output audio y=0~8(0=all),z=1~28 z=1~8 from HDMI input 1~8 z=9~16 from HDMI out 1~8 ARC z=17~24 from HDBT out 1~8 ARC z=25~28 from embed audio 1~4	s coax_analog out 1 audio from 1! s coax_analog out 0 audio from 1!	Coaxial_Analog output 1 audio: from HDMI input 1 Coaxial_Analog all outputs audio: from HDMI input 1	Coaxial_Analog all outputs audio: from HDMI input 1
s coax_analog out y audio delay z!	Set coax_analog output audio delay y=0~8(0=all), z=0~300ms	s coax_analog out 1 audio delay 100! s coax_analog out 0 audio delay 100!	Coaxial_Analog output 1 audio delay 100ms Coaxial_Analog all outputs audio delay 100ms	Coaxial_Analog all outputs audio delay 100ms
s coax_analog out y audio vol z!	Set analog output audio volume y=0~8(0=all), z=0~30,+,-;	s analog out 1 audio vol 30! s analog out 1 audio vol +! s analog out 0 audio vol 30! s analog out 0 audio vol +!	Analog output 1 audio volume 30 Analog all outputs audio volume 30	all Analog output audio volume 20
s coax_analog out y audio mute z!	Mute on/off coax_analog output audio y=0~8(0=all), z=0~1(z=0 off,z=1 on)	s coax_analog out 1 audio mute 1!	Mute coax_analog output 1 audio	Mute off all coax_analog out audio
r coax_analog out y audio!	Get coax_analog output audio status y=0~8(0=all)	r coax_analog out 1 audio!	Coaxial_Analog output 1 audio from HDMI input 1 Coaxial_Analog output 1 audio delay 0ms Analog output 1 audio volume 20 Mute off coax_analog output 1 audio	
<b>CEC Setting</b>				
s cec in x on!	set input x power on by CEC, x=0~8(0=all input)	s cec in 1 on!	input 1 power on	
s cec in x off!	set input x power off by CEC, x=0~8(0=all input)	s cec in 1 off!	input 1 power off	
s cec in x menu!	set input x open menu by CEC, x=0~8(0=all input)	s cec in 1 menu!	input 1 open menu	
s cec in x back!	set input x back operation by CEC, x=0~8(0=all input)	s cec in 1 back!	input 1 back operation	
s cec in x up!	set input x menu up operation by CEC, x=0~8(0=all input)	s cec in 1 up!	input 1 menu up operation	
s cec in x down!	set input x menu down operation by CEC, x=0~8(0=all input)	s cec in 1 down!	input 1 menu down operation	



ASCII Command	Function Description	Example	Feedback	Default Setting
s cec in x left!	set input x menu left operation by CEC, x=0~8(0=all input)	s cec in 1 left!	input 1 menu left operation	
s cec in x right!	set input x menu right operation by CEC, x=0~8(0=all input)	s cec in 1 right!	input 1 menu right operation	
s cec in x enter!	set input x menu enter by CEC, x=0~8(0=all input)	s cec in 1 enter!	input 1 menu enter operation	
s cec in x play!	set input x play by CEC, x=0~8(0=all input)	s cec in 1 play!	input 1 play operation	
s cec in x pause!	set input x pause by CEC, x=0~8(0=all input)	s cec in 1 pause!	input 1 pause operation	
s cec in x stop!	set input x stop by CEC, x=0~8(0=all input)	s cec in 1 stop!	input 1 stop operation	
s cec in x rew!	set input x rewind by CEC, x=0~8(0=all input)	s cec in 1 rew!	input 1 rewind operation	
s cec in x mute!	set input x volume mute by CEC, x=0~8(0=all input)	s cec in 1 mute!	input 1 volume mute	
s cec in x vol-!	set input x volume down by CEC, x=0~8(0=all input)	s cec in 1 vol-!	input 1 volume down	
s cec in x vol+!	set input x volume up by CEC, x=0~8(0=all input)	s cec in 1 vol+!	input 1 volume up	
s cec in x ff!	set input x fast forward by CEC, x=0~8(0=all input)	s cec in 1 ff!	input 1 fast forward operation	
s cec in x previous!	set input x previous by CEC, x=0~8(0=all input)	s cec in 1 previous!	input 1 previous operation	
s cec in x next!	set input x next by CEC, x=0~8(0=all input)	s cec in 1 next!	input 1 next operation	
s cec hdmi out y on!	set hdmi output y power on by CEC, y=0~8(0=all hdmi output)	s cec hdmi out 1 on!	hdmi output 1 power on	
s cec hdbt out y on!	set hdbt output y power on by CEC, y=0~8(0=all hdbt output)	s cec hdbt out 1 on!	hdbt output 1 power on	
s cec hdmi out y off!	set hdmi output y power off by CEC, y=0~8(0=all hdmi output)	s cec hdmi out 1 off!	hdmi output 1 power off	
s cec hdbt out y off!	set hdbt output y power off by CEC, y=0~8(0=all hdbt output)	s cec hdbt out 1 off!	hdbt output 1 power off	
s cec hdmi out y mute!	set hdmi output y volume mute by CEC, y=0~8(0=all hdmi output)	s cec hdmi out 1 mute!	hdmi output 1 volume mute	
s cec hdbt out y mute!	set hdbt output y volume mute by CEC, y=0~8(0=all hdbt output)	s cec hdbt out 1 mute!	hdbt output 1 volume mute	
s cec hdmi out y vol-!	set hdmi output y volume down by CEC, y=0~8(0=all hdmi output)	s cec hdmi out 1 vol-!	hdmi output 1 volume down	
s cec hdbt out y vol-!	set hdbt output y volume down by CEC, y=0~8(0=all hdbt output)	s cec hdbt out 1 vol-!	hdbt output 1 volume down	
s cec hdmi out y vol+!	set hdmi output y volume up by CEC, y=0~8(0=all hdmi output)	s cec hdmi out 1 vol+!	hdmi output 1 volume up	
s cec hdbt out y vol+!	set hdbt output y volume up by CEC, y=0~8(0=all hdbt output)	s cec hdbt out 1 vol+!	hdbt output 1 volume up	
s cec hdmi out y active!	set hdmi output y active source by CEC, y=0~8(0=all hdmi output)	s cec hdmi out 1 active!	hdmi output 1 active source	
s cec hdbt out y active!	set hdbt output y active source by CEC, y=0~8(0=all hdbt output)	s cec hdbt out 1 active!	hdbt output 1 active source	
<b>Network Setting</b>				
r ipconfig!	Get the Current IP Configuration	r ipconfig!	IP Mode: DHCP IP:192.168.62.106 Subnet Mask: 255.255.255.0 Gateway:192.168.62.1 TCP/IP port:8000 Telnet port:23 Mac address: 6C:DF:FB:0C:B3:8E	
r mac addr!	Get network MAC address	r mac addr!	Mac address: 6C:DF:FB:0C:B3:8E	
s ip mode z!	Set network IP mode to static IP or DHCP, z=0~1 (z=0 Static, z=1 DHCP)	s ip mode 0!	Set IP mode:Static (Please use "s net reboot!" command or repower device to apply new config!)	DHCP ON



ASCII Command	Function Description	Example	Feedback	Default Setting
r ip mode!	Get network IP mode	r ip mode!	IP Mode: DHCP	
s ip addr xxx.xxx.xxx.xxx!	Set network IP address	s ip addr 192.168.1.100!	Set IP address: 192.168.1.100 (Please use "s net reboot!" command or repower device to apply new config!) DHCP on, Device can't config static address, set DHCP off first.	
r ip addr!	Get network IP address	r ip addr!	IP:192.168.62.106	
s subnet xxx.xxx.xxx.xxx!	Set network subnet mask	s subnet 255.255.255.0!	Set subnet Mask address:255.255.255.0 (Please use "s net reboot!" command or repower device to apply new config!) DHCP on, Device can't config subnet mask, set DHCP off first.	
r subnet!	Get network subnet mask	r subnet!	Subnet Mask: 255.255.255.0	
s gateway xxx.xxx.xxx.xxx!	Set network gateway	s gateway 192.168.1.1!	Set gateway: 192.168.1.1 Please use "s net reboot!" command or repower device to apply new config! DHCP on, Device can't config gateway, set DHCP off first.	
r gateway!	Get network gateway	r gateway!	Gateway:192.168.1.1	
s tcp/ip port x!	Set network TCP/IP port (x=1~65535)	s tcp/ip port 8000!	Set TCP/IP port:8000	Set tcp/ip port:8000
r tcp/ip port!	Get network TCP/IP port	r tcp/ip port!	TCP/IP port:8000	
s telnet port x!	Set network telnet port (x=1~65535)	s telnet port 23!	Set Telnet port:23	Set telnet port:23
r telnet port!	Get network telnet port	r telnet port!	Telnet port:23	
s net reboot!	Reboot network modules	s net reboot!	Search for IP,Please wait ...! IP Mode: DHCP IP:192.168.62.111 Subnet Mask: 255.255.255.0 Gateway:192.168.62.1 TCP/IP port:8000 Telnet port:23 Mac address: 6C:DF:FB:0C:B3:8E	
s uart x mode y!	Set the mode of x local and hdbt uart , x=0-8 ,y=0-1,0:bypass mode, 1:user control mode	s uart 1 mode 1!	Local And Far Uart1 Control Mode	
s uart x datalen y!	Set the data length of x local and hdbt uart , x=0-16, y=1 -2, 1:8bit 2:7bit	s uart 1 datalen 1!	LocalUart1 DataLen is 8bit	
s uart x baudrate y!	Set the baudrate of x local and hdbt uart , x=0-16, y=1-8, 1: 115200(Default) 2: 57600 3: 56000 4:38400 5:19200 6:14400 7:9600 8:4800	s uart 1 baudrate 1!	LocalUart%d Baudrate is 115200	
s uart x parity y!	Set the Parity of x local and hdbt uart, x=0-16, y=1-3, 1 :none 2:odd 3:even	s uart x parity 1!	LocalUart1 Parity is None	
s uart x type z senddata y end!	Send data y from x local and hdbt uart, z=0 ascii, z=1 hex ,x=0-16	s uart 1 type 0 senddata abcdefg end!	LocalUart1 data: abcdefg	
r uart status x!	Get the Status of x local and hdbt uart , x=0-16	r uart status 1!		





# BZBGEAR Switch Control App

## BG-Switch-Control | Quick User Guide



**BZBGEAR** Switch Control App



### Overview

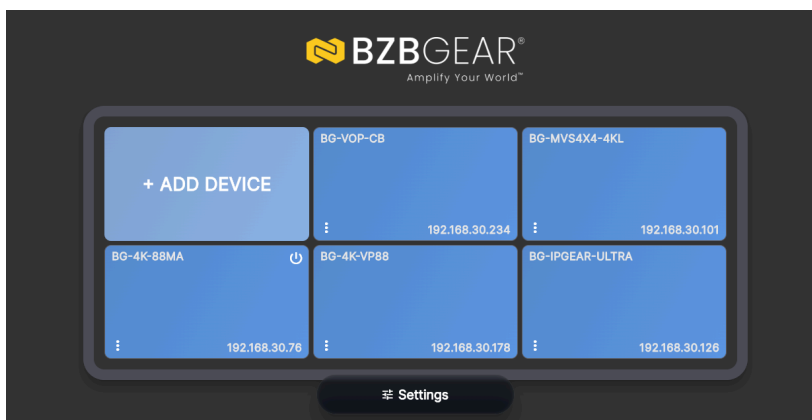
The **BZBGEAR Switch Control App (BG-Switch-Control)** is a multi-platform network control application for compatible BZBGEAR matrix switchers. It provides centralized control of **video routing, audio routing, presets, and video wall configurations** through an intuitive graphical interface.

### Platform Compatibility

Supported operating systems:

- **Windows**
- **macOS**
- **iOS**
- **Android**
- All control devices must be connected to the **same local network** as the matrix switcher.

### Connection & Startup

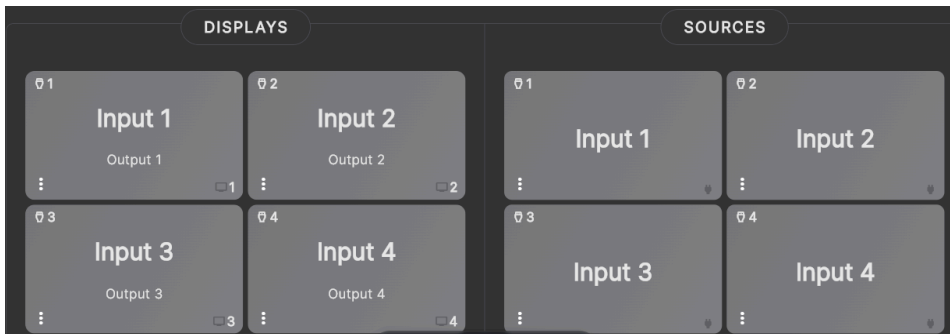


1. Connect the BZBGEAR matrix switcher to the local network.
2. Connect the control device (PC, tablet, or smartphone) to the same network.
3. Launch the **BG-Switch-Control App**.
4. Select the correct product from the (Add Device) drop-down list



5. Fill in the device information (IP address, name, etc.)

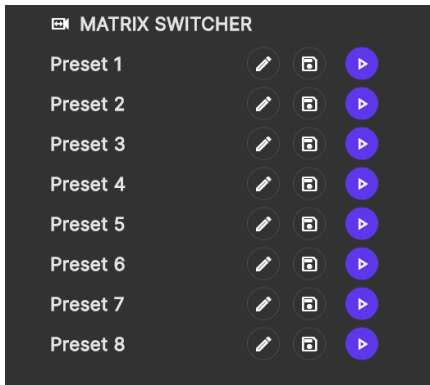
### Matrix Switching



- Rename input and output sources (Optional)
- Press and hold an input source.
- Drag the input from the **Inputs panel** to the desired output.
- Release to complete the assignment.
- A single input can be routed to **multiple outputs simultaneously**.

### Preset Management

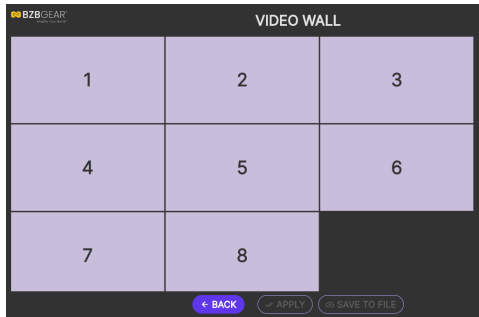
Presets allow quick saving and recall of system configurations.



1. Configure routing or video wall settings.
2. Select **Save as Preset**.
3. Assign a preset number and name.
4. Recall presets at any time to instantly restore configurations.



## Video Wall Control



- Select **Create Video Wall**.
- Drag and arrange outputs into the desired layout.
- Select a source to span across the video wall.
- Select **Set Video Wall** to apply.
- Video walls appear on the main screen and support **real-time switching** and **preset storage**.

## Pass-Through Mode

Pass-Through mode restores a direct, default input-to-output mapping.

This mode is useful for:

- System resets
- Testing
- Simplified routing

## Refresh Data

The **Refresh Data** function resynchronizes the app with the connected switcher.

Use this if configuration changes are made or if the interface appears out of sync.

## App Capabilities

- Matrix video routing
- Video wall creation and control
- Preset save and recall
- Audio matrix control (*supported devices*)
- Multi-user access with role-based permissions
- Multi-platform operation



## Tech Support

---

Have technical questions? We may have answered them already!

Please visit BZBGear's support page ([bzbgear.com/support](https://bzbgear.com/support)) for helpful information and tips regarding our products. Here you will find our Knowledge Base ([bzbgear.com/knowledge-base](https://bzbgear.com/knowledge-base)) with detailed tutorials, quick start guides, and step-by-step troubleshooting instructions. Or explore our YouTube channel, BZB TV ([youtube.com/c/BZBTVchannel](https://youtube.com/c/BZBTVchannel)), for help setting up, configuring, and other helpful how-to videos about our gear.

Need more in-depth support? Connect with one of our technical specialists directly:

**Phone**

1.888.499.9906

**Email**

[support@bzbgear.com](mailto:support@bzbgear.com)

**Live Chat**

[bzbgear.com](https://bzbgear.com)

## Limited Product Warranty Terms

---

Pro Line: 5-year warranty from the date of purchase for AV/Broadcasting products bought on or after August 1, 2024.

Essential Line: 3-year warranty from the date of purchase for AV/Broadcasting products bought on or after August 1, 2024.

Cables: Lifetime Limited Product Warranty.

For complete warranty information, please visit [bzbgear.com/warranty](https://bzbgear.com/warranty).

For questions, please call 1.888.499.9906 or email [support@bzbgear.com](mailto:support@bzbgear.com).



## Mission Statement

---

BZBGear is a breakthrough manufacturer of high-quality, innovative audiovisual equipment ranging from AVoIP, professional broadcasting, conferencing, home theater, to live streaming solutions. We pride ourselves on unparalleled customer support and services. Our team offers system design consultation, and highly reviewed technical support for all the products in our catalog. BZBGear delivers quality products designed with users in mind.

## Copyright

---

All the contents in this manual and its copyright are owned by BZBGear. No one is allowed to imitate, copy, or translate this manual without BZBGear's permission. This manual contains no guarantee, standpoint expression or other implies in any form. Product specification and information in this manual is for reference only and subject to change without notice.

**All rights reserved.** No reproducing is allowed without acknowledgement.