

Welcome!

Thank you for purchasing the MINI-ME™ RT300-121 VGA Retractable Cable. We know you will find it easy to install, easy to use and easy to maintain.

Our goal is to provide our customers with unique Signal Management Solutions® for Audio Visual applications.

1. Precautions and Safety Warnings

Please read this manual carefully before using MINI-ME RT300-121 VGA Cable Retractor. Keep this manual handy for future reference. These safety instructions are to ensure the long life of your cable retractor and to prevent fire and shock hazards.

1.1 General

- The RT300-121 does not contain any user serviceable parts inside.
- Do not disassemble the unit. RT300-121 contains high tension spring that can uncoil rapidly causing cutting hazard.
- Only qualified Altinex service personnel is allowed to perform cable retractor repairs. Removal of the warranty sticker will void the warranty.

2. Installation Procedures

- Step 1 Mount the RT300-121 onto the AC200-125 or AC221-125 mounting bracket and secure it with the four 4x40 screws provided.
- Step 2 Slide mounting bracket onto the CNK200 or CNK221 exterior hooks and secure the thumbscrews with the wing nuts provided by the accessories.
- Step 3 Feed retractable cable through the bottom of the CNK unit and the faceplate.
- Step 4 Connect the fixed cable to a display or a switcher
- Step 5 Refer to CNK200 or CNK221 user guide for installation instructions.

3. Limited Warranty/Return Policies

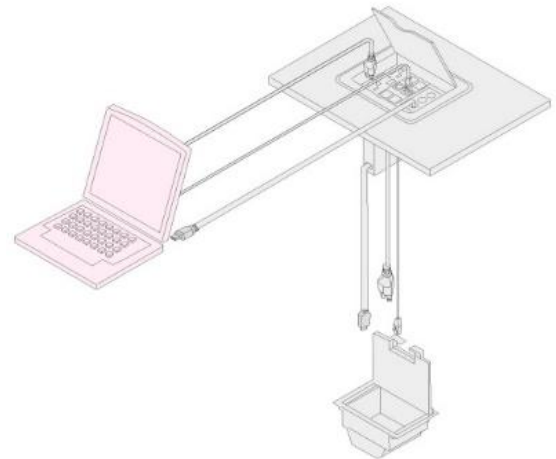
Please visit Altinex website at www.altinex.com for details on warranty and return policies. If you have any questions, please call us at 1-800-ALTINEX or 714-990-2300.

1.2 Installation

- Use the RT300-121 VGA cable retractor in a dry area away from dust and moisture.
- Do not place the RT300-121 VGA cable retractor in direct sunlight, near heaters or heat-radiating appliances, or near any liquid. Exposure to direct sunlight, heat and moisture will damage internal precision components.
- Handle the RT300-121 VGA cable retractor with care. Dropping, straining, or shaking can damage internal components.
- Do not place heavy objects on top of the RT300-121 VGA cable retractor.
- Follow installation instructions RT300-121 for optimum performance.

1.3 Cleaning

- Clean surfaces with a dry or slightly damp cloth. Do not use detergents or solvents.



4. Technical Specification

Specifications are subject to change. Please visit www.altinex.com for up-to-date specification

| Features/Description | |
|-------------------------------|---|
| Inputs | |
| Video/Audio | VGA format |
| Outputs | |
| Video/Audio | VGA format |
| Compatibility | |
| Tabletop enclosures | CNK200 & CNK221 |
| Stand-alone mounting | Mounting holes with 4x40 threads are provided |
| Additional Accessories | |
| Mounting Hardware | AC200-125 for CNK200 AC221-125 for CNK221 |

Table 1 RT300-121 General Specifications

| Mechanical | |
|-----------------------------|--|
| Dimensions | |
| Height | 4.8 in (122 mm) |
| Width | 4.8 in (122 mm) |
| Depth | 1.4 in (37 mm) |
| Other | |
| Normal Pull force | 0.3lb (+/- 0.1) |
| End of the cable pull force | Max 10lb (+2lb) (Damage may occur if customer forces retract past the end of cable) |
| Weight | 0.78 lbs. (0.353 kg) |
| Color | Black |
| Material | Plastic |
| T° Operating | 10°C - 35°C |
| T° Maximum | 50°C |
| Humidity | 90% non-condensing |
| MTBF (tested) | 10,000 retractions |

Table 2 RT300-121 Mechanical Specifications

| | |
|--------------------------|---------------------------------|
| Electrical | RT300-121 VGA Retractable Cable |
| Cable Gauge | 36AWG wires, 32AWG coaxes |
| Voltage Rating for Cable | 30V |
| Power | none |
| Amplifier | none |

Table 3 RT300-121 Electrical Specifications

5. The MINI-ME RT300-121 VGA Retractable Cable features

- Convenient, easy to install cable retraction system for CNK200, CNK221 interconnect box and stand alone
- Simple operation for AV connectivity
- VGA compliant coaxial cable
- CNK200 supports four MINI-ME RT300-121 units
- CNK221 supports two MINI-ME RT300-121 units
- Tested to 10,000 retracts



The RT300-121 offers a solution for managing VGA cables. The cable assembly was designed to deliver high definition video and audio to a switcher or a display. The VGA cable contains built-in amplifier to maintain VGA signal integrity. The RT300-121 has 4.0 ft of retractable cable and 4 ft of the fixed length cable. The cable and the retractor has been tested to over 10,000 extensions/retractions. The AC200-125 and AC221-125 mounting hardware securely mounts the cable retractors to CNK200 and CNK221 table top units.



AC200-125 mounting bracket for the CNK200



AC221-125 mounting bracket for the CNK221

6. Application Diagram

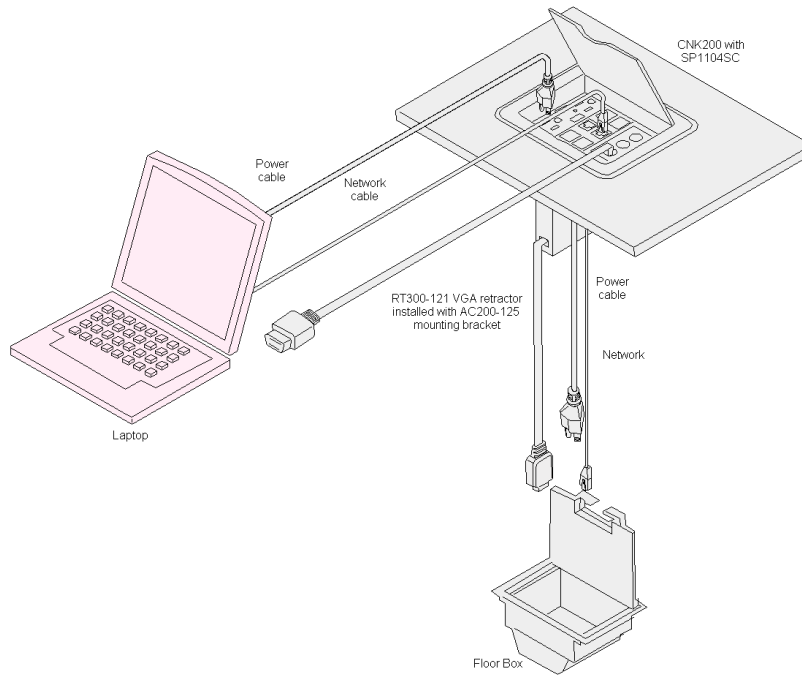


Diagram 1: Typical RT300-121 Installation and use

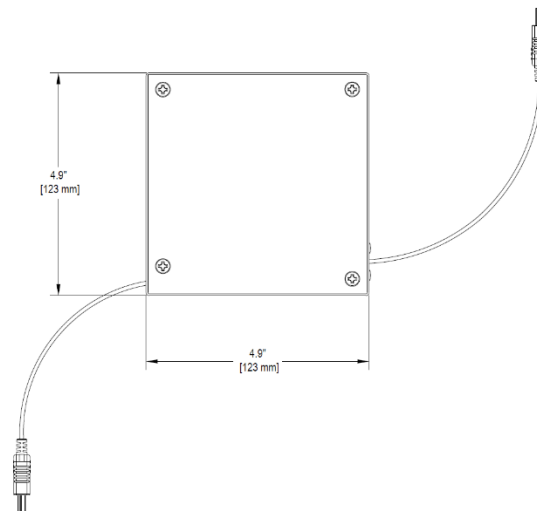


Diagram 2: Retractor Side Dimensions

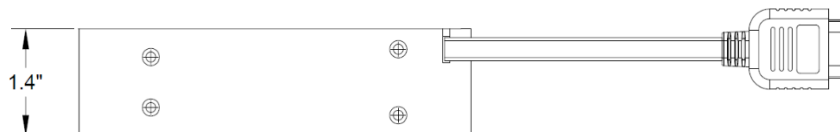


Diagram 3: Front Dimensions

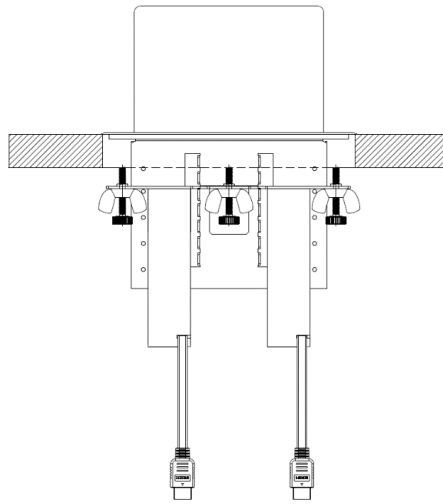


Diagram 4: Mounted on a CNK200 Front View

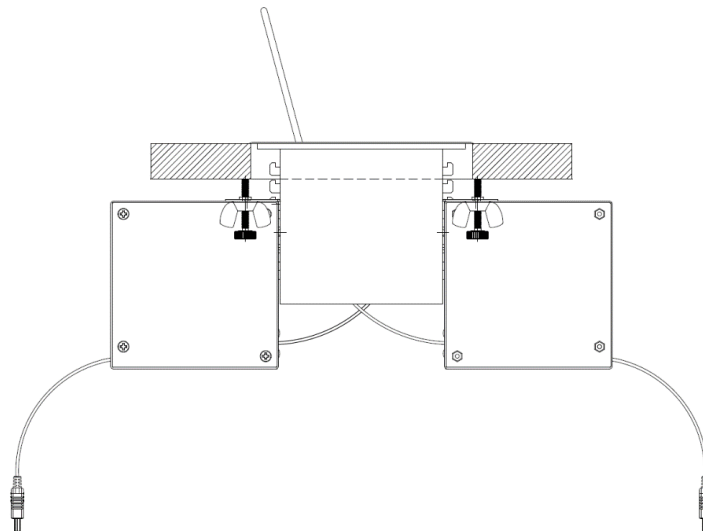


Diagram 5: Mounted on a CNK200 Side View

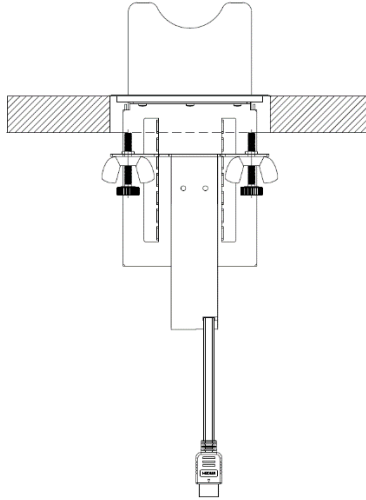


Diagram 6: Mounted on a CNK221 Front View

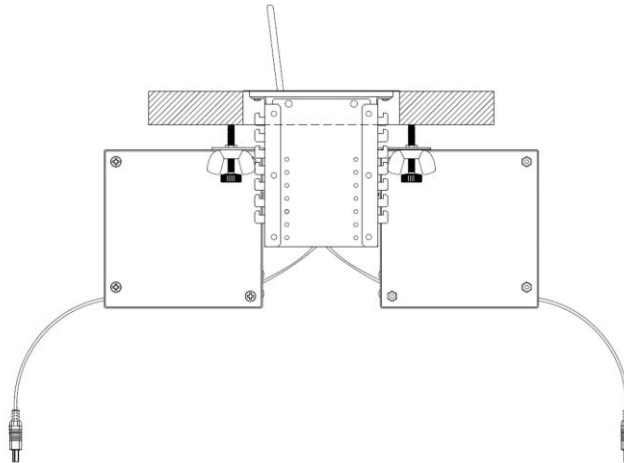


Diagram 7: Mounted on a CNK221 Side view

7. Operation

7.1 Accessing the RT300-121 VGA Retractable Cable

After proper installation, no further configuration is needed. To connect, simply open the CNK bezel and pull on the cable. Connect to desired source. When finished, disconnect the source and automatically the cable will retract back into the bezel.

8. Troubleshooting Guide

The RT300-121 VGA Retractable Cable supplied was carefully tested and no problems were detected. However, we would like to offer the following suggestions:

Please make sure that the highest quality cables are used in addition to the retractable cable.

Make sure that no cable or power cord is damaged or pinched. If there has been damage, do not use the CNK200 or the retractable cable. Please call the Altinex Customer Service Department at (714) 990-2300 to have the unit repaired.