



INSTALLATION AND OPERATION MANUAL

FVT/FVRXA4C1 (M)(S)

4-CHANNEL BI-DIRECTIONAL AUDIO WITH 1 BI-DIRECTIONAL CONTACT CLOSURE

The FVT/FVRXA4C1 series audio multiplexer provides the transmission of four bi-directional audio signals and one bi-directional optical isolated output contact closure over one multimode or single mode optical fiber. The modules use 24-bit 96kHz sample rate digital encoding for superior transmission of balanced line-level audio. Plug-and-play design ensures ease of installation and no electrical or optical adjustments are required.

Bi-color (Red/Green) LED indicators confirm power and link operating status. See **Figure 6** on **Page 3** for LED indicator explanations.

The FVT/FVRXA4C1(M)(S) may be directly plugged into the ComNet Rack (Part C1) or operated as a standalone module powered by the 9 Volt DC Plug-in Power Supply also provided with the module. See **Figure A** on **Page 4** for mounting instructions.

See **Figures 1 – 6** for complete installation details.

FIGURE 1 – FVT/FVRXA4C1(M)(S) TRANSMITTER and RECEIVER

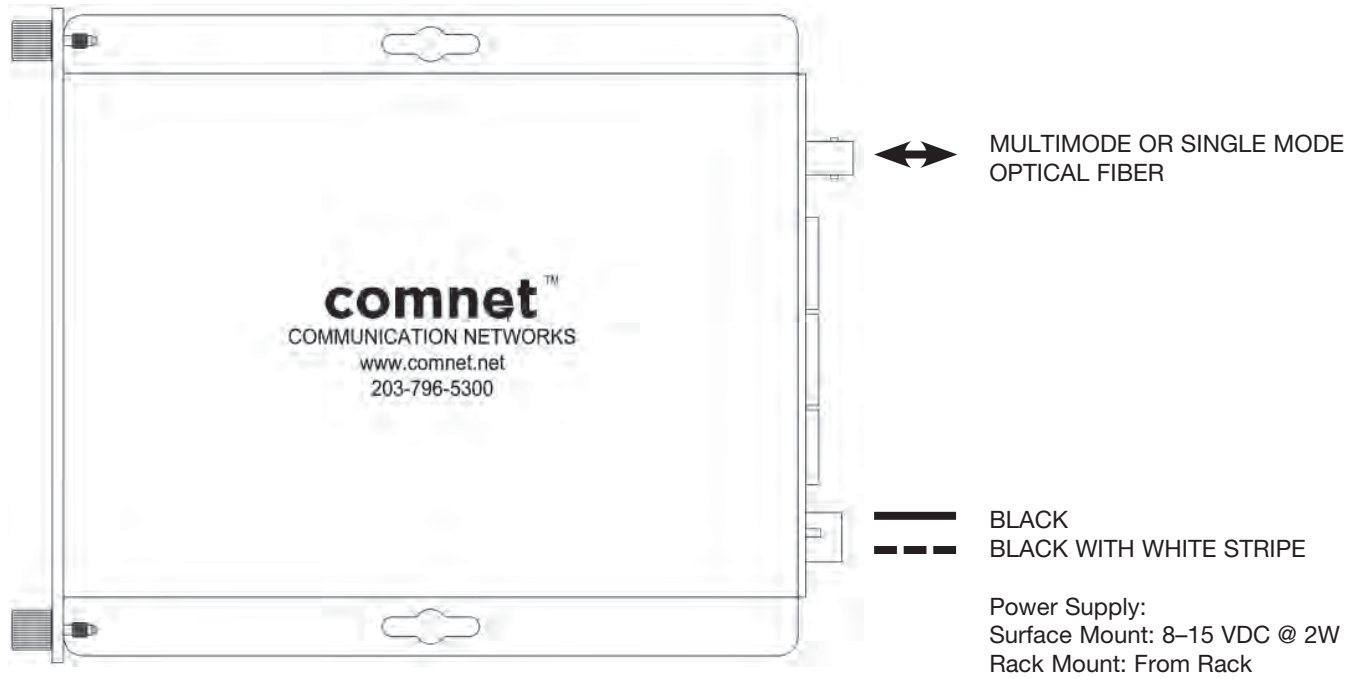


FIGURE 2 – FVTXA4C1 TRANSMITTER

FRONT PANEL

REAR PANEL

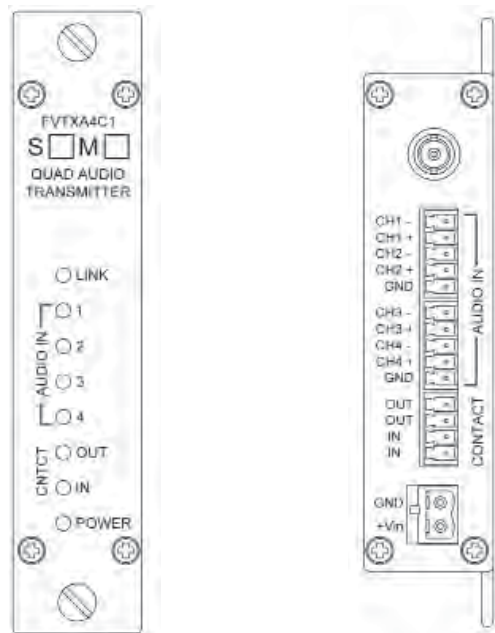
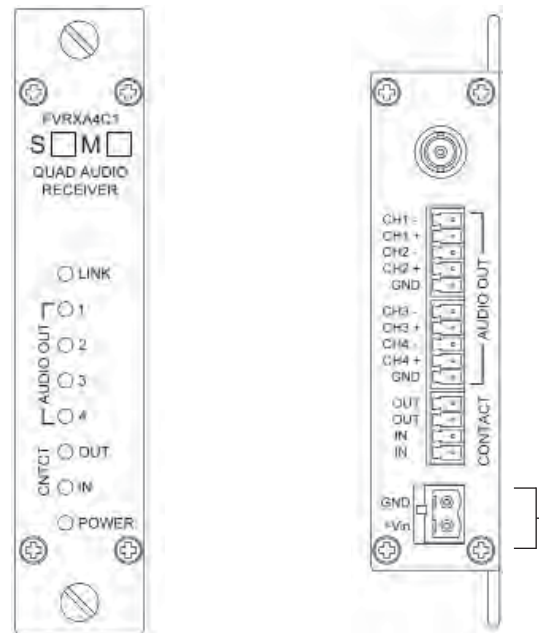


FIGURE 3 – FVRXA4C1 RECEIVER

FRONT PANEL

REAR PANEL



NOTE: Remove Electrical Connector for Rack Mount Units

FIGURE 4 – AUDIO WIRING

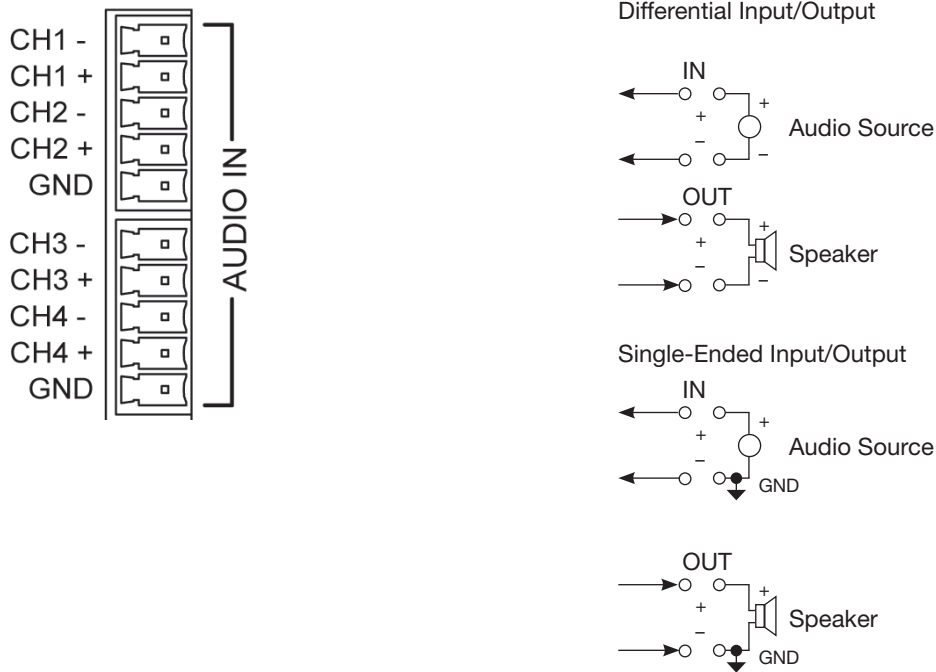


FIGURE 5 – CONTACT WIRING

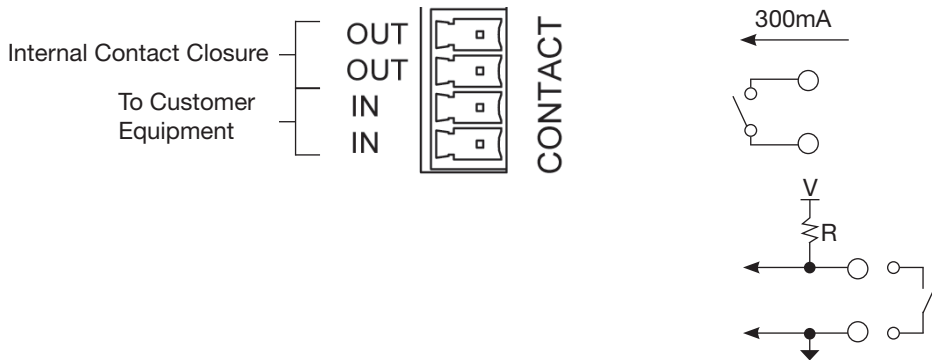


FIGURE 6 – LED INDICATORS

	AUDIO IN/OUT	CONTACT	LINK	POWER
GREEN	(Solid or Blinking) An active audio signal is present.	Closed	Communication link has been established over optical fiber	Unit powered up
RED	Audio level too high.	N/A	N/A	N/A
OFF	No audio signal	Open	No Link	Unit powered down

MECHANICAL INSTALLATION INSTRUCTIONS

INSTALLATION CONSIDERATIONS

This fiber-optic link is supplied as a Standalone/Rack module. Units should be installed in dry locations protected from extremes of temperature and humidity.

C1-US, C1-EU, C1-AU OR C1-CH CARD CAGE RACKS

CAUTION: Although the units are hot-swappable and may be installed without turning power off to the rack, ComNet recommends that the power supply be turned off and that the rack power supply is disconnected from any power source. **Note:** Remove electrical connector before installing in card cage rack.

1. Make sure that the card is oriented right side up, and slide it into the card guides in the rack until the edge connector at the back of the card seats in the corresponding slot in the rack's connector panel. Seating may require thumb pressure on the top and bottom of the card's front panel.

CAUTION: Take care not to press on any of the LEDs.

2. Tighten the two thumb screws on the card until the front panel of the card is seated against the front of the rack.

WARNING: Unit is to be used with a Listed Class 2 or LPS power supply rated 9-12 VDC @ 1A.

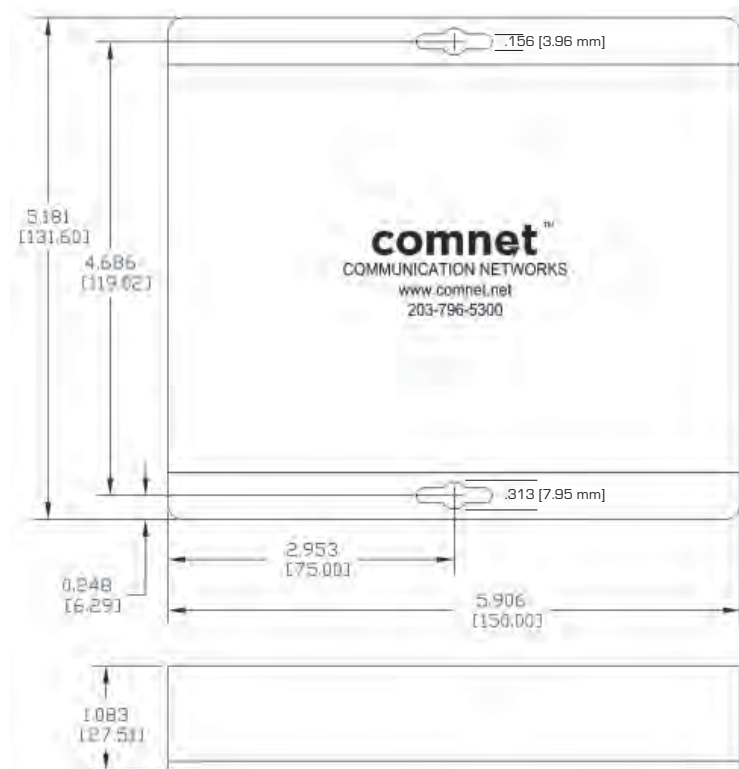
IMPORTANT SAFEGUARDS:

A) Elevated Operating Ambient - If installed in a closed or multi-unit rack assembly, the operating ambient temperature of the rack environment may be greater than room ambient. Therefore, consideration should be given to installing the equipment in an environment compatible with the maximum ambient temperature (T_{ma}) specified by the manufacturer.

B) Reduced Air Flow - Installation of the equipment in a rack should be such that the amount of air flow required for safe operation of the equipment is not compromised.

FIGURE A

Dimensions are for a standard ComNet™ one slot module



MADE IN THE
USA

comnet
Communication Networks

3 CORPORATE DRIVE | DANBURY, CT 06810 | USA
T: 203.796.5300 | F: 203.796.5303 | TECH SUPPORT: 1.888.678.9427 | INFO@COMNET.NET

8 TURNBERRY PARK ROAD | GILDERSOME | MORLEY | LEEDS, UK LS27 7LE
T: +44 (0)113 307 6400 | F: +44 (0)113 253 7462 | INFO-EUROPE@COMNET.NET

INS_FVTFVRXA4C1_REV1
05/11/10
PAGE 4